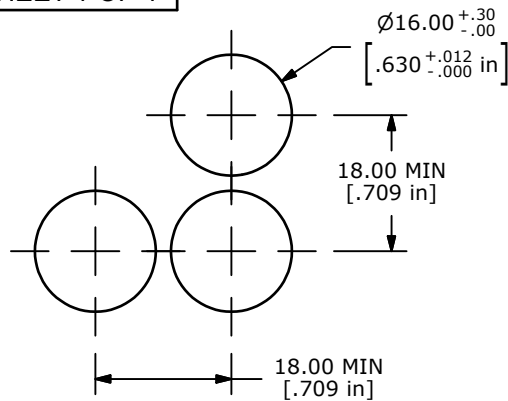
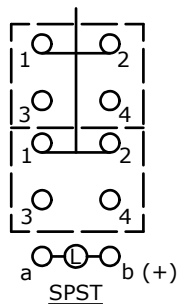
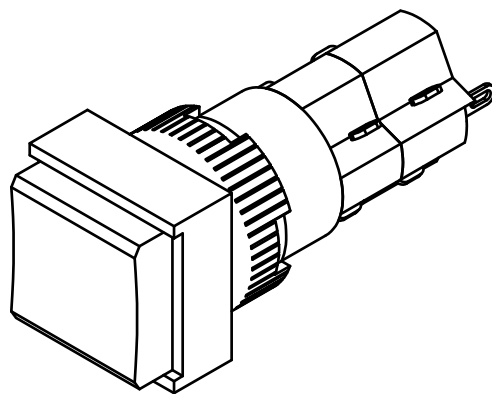


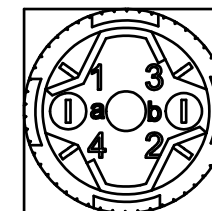
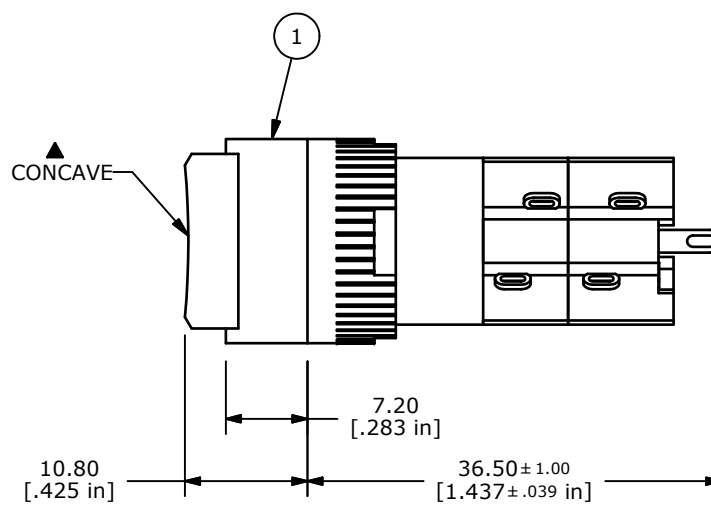
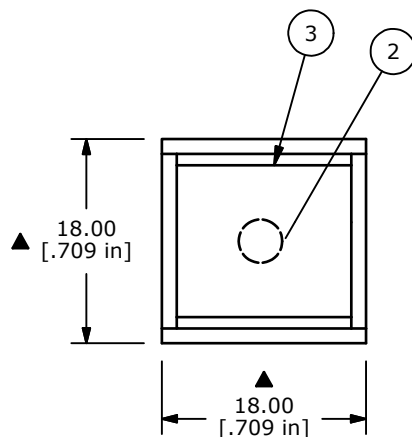
ITEM	QTY	PART NUMBER	DESCRIPTION
1	1	F040020	D16EES12
2	1	F050416	50-004-16, 6 VDC GREEN LED
3	1	F050302	50-003-02, TRANSPARENT GREEN CONCAVE



PANEL MOUNTING



CONTACT CONFIGURATION



NOTE:

1. ALL DIMENSIONS IN MM [INCH]
2. GENERAL TOLERANCE: X.X=±0.4
X.XX=±0.25
3. TERMINAL NUMBERS FOR REF ONLY
4. RATING: 5A@250VAC UL, VDE 8A@125VAC UL, VDE
6A @24VDC, 0.2A @250VDC
5. MECHANICAL LIFE: 2,000,000 OPERATIONS
6. DEGREE OF PROTECTION: IP40
- ▲ 7. PANEL THICKNESS: 0.5 - 5.0 mm
8. CONTACT RESISTANCE: 20mΩ INITIAL
9. TRAVEL: 3.0mm FULL, 2.0mm LATCH
10. OPERATING TEMP.: -25°C to 55°C
- ▲ 11. LAMP VOLTAGE: 6 VDC GREEN LED
12. ▲ DENOTES CRITICAL PARAMETER.]
13. 2002/95/EC (ROHS) COMPLIANT



A	20376	RELEASED FOR PRODUCTION	1/4/12	BGL
REV	PCR NO	DESCRIPTION	DATE	BY

TITLE D16EES12HGRNGRN				
SCALE	DATE	DR	DWG	REV
1.5:1	1/3/2012	BGL	XF0850P	A

THE INFORMATION CONTAINED IN THIS DOCUMENT IS PROPRIETARY TO E-SWITCH AND IS NOT TO BE COPIED OR TRANSFERRED

Mouser Electronics

Authorized Distributor

Click to View Pricing, Inventory, Delivery & Lifecycle Information:

[E-Switch:](#)

[D16EES12HGRNGRN](#)