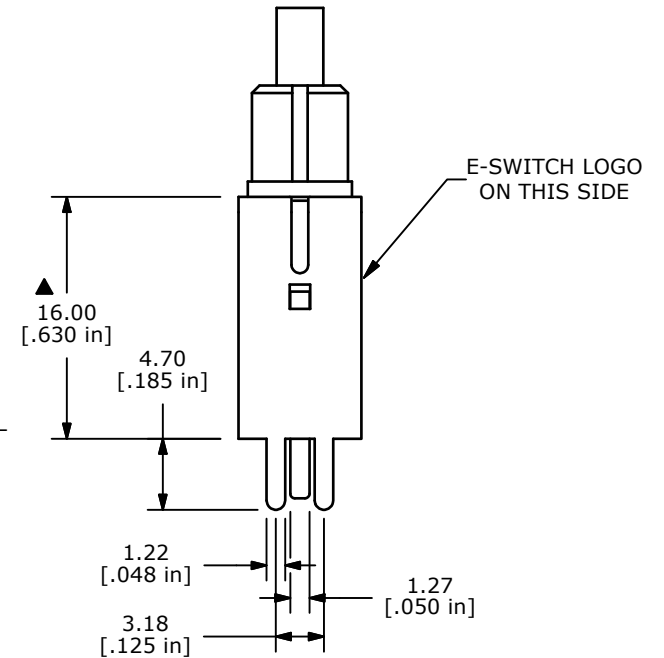
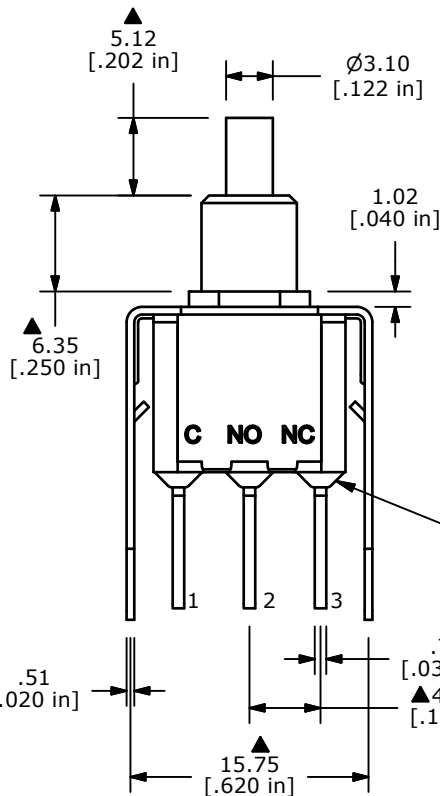
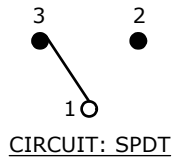


SWITCH FUNCTION	
POS. 1	POS. 2
ON	(ON)
1-3	1-2

(ON)=MOMENTARY



NOTE:

- ALL DIMENSIONS IN MM [INCH]
- GENERAL TOLERANCE: X.X=±0.4
X.XX=±0.25
- TERMINAL NUMBERS FOR REF ONLY
- CONTACT MATERIAL: GOLD
- RATING: 0.4VA MAX. @ 20 VAC OR VDC MAX.
- ELECTRIC LIFE: 50,000 MAKE-AND-BREAK CYCLES AT FULL LOAD
- INSULATION RESISTANCE: 1,000 MEGA-OHM MIN.
- ACUATION FORCE: 300 ± 100gf
- TRAVEL: 1.0 ± 0.2mm
- CONTACT RESISTANCE: 20 mOHM MAX. TYPICAL @ 2-4 VDC
- DIELECTRIC STRENGTH: 1,000 V RMS @ SEA LEVEL.
- OPERATING TEMP.: -30°C to 85°C
- ▲ DENOTES CRITICAL PARAMETER.
- 2002/95/EC (ROHS) COMPLIANT.



B	20004	DRAWING CLEAN-UP / UPDATE	6/14/11	BGL
REV	PCR NO	DESCRIPTION	DATE	BY

TITLE 700SP7B20VS3RE				
SCALE 2:1	DATE 6/14/2011	DR BGL	DWG T711044	REV B

THE INFORMATION CONTAINED IN THIS DOCUMENT IS PROPRIETARY TO E-SWITCH AND IS NOT TO BE COPIED OR TRANSFERRED

Mouser Electronics

Authorized Distributor

Click to View Pricing, Inventory, Delivery & Lifecycle Information:

[E-Switch:](#)

[700SP7B20VS3RE](#)