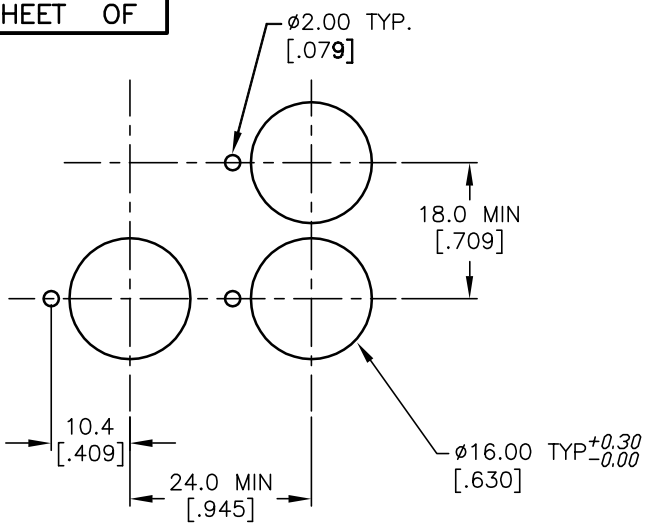


SHEET OF

PARTS LIST

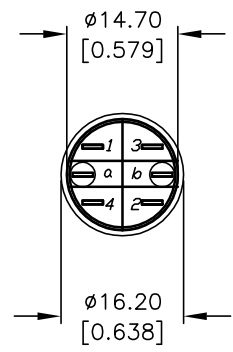
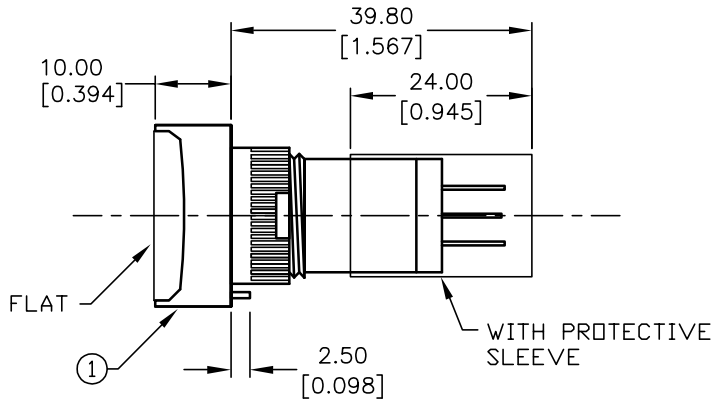
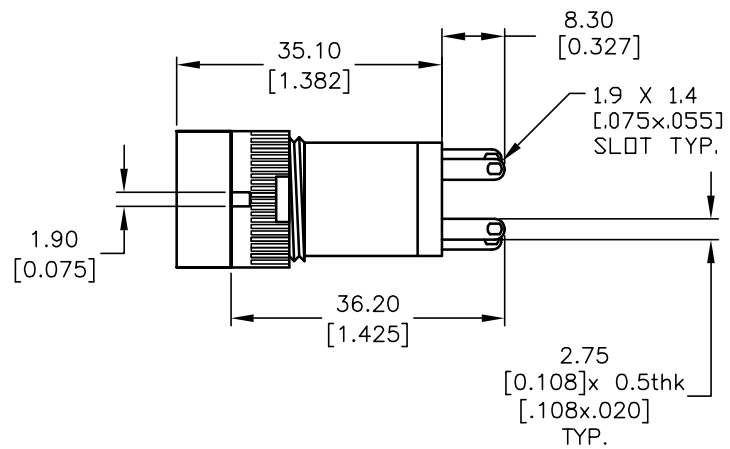
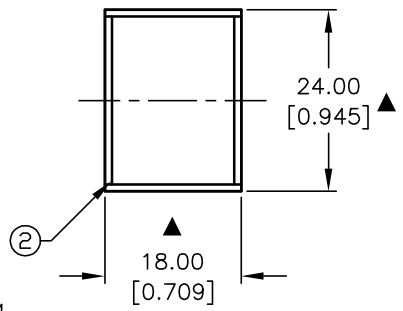
ITEM	QTY.	PART NO.	PART DESCRIPTION
1	1	F040500	P16 OA T21
2	1	F052214	50-002-14(RE D LENS OPAQUE)



RECOMMEND PANEL MOUNTING

1 0 | 0 2
 3 0 | 0 4
 a - (L) - b (+)

SPST
 CONTACT CONFIGURATION



NOTES:

- ALL DIMENSIONS IN MM [INCH]
- GENERAL TOLERANCE: X.X=±0.4
X.XX=±0.25
- TERM. NOS. FOR REFERENCE ONLY.
- RATING: 5A@250V AC / 8A@125V AC
- MECHANICAL LIFETIME: >2 MILLION OPERATIONS
- TRAVEL: 3.0MM
- CONTACT MATERIAL: COPPER ALLOY W/SILVER PLATING
- LAMP VOLTAGE: NO LAMP
- ▲ DENOTES CRITICAL PARAMETER.

E-SWITCH®

TITLE
 P16OAT210RED OPAQUE

REV.	ECN No.	DESCRIPTION	DATE	CHKD
A	10897	RELEASED FOR PRODUCTION	9/24/03	AR

SCALE	DATE	DR	DWG	REV
1.5:1	9/24/03	AR	XF0568P	A

THE INFORMATION CONTAINED IN THIS DOCUMENT IS PROPRIETARY TO E-SWITCH AND IS NOT TO BE COPIED OR TRANSFERRED

Mouser Electronics

Authorized Distributor

Click to View Pricing, Inventory, Delivery & Lifecycle Information:

[E-Switch:](#)

[P16OAT210RED](#)