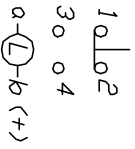
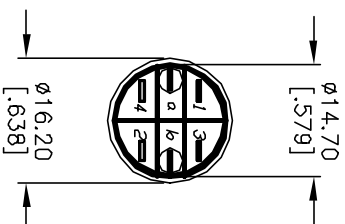
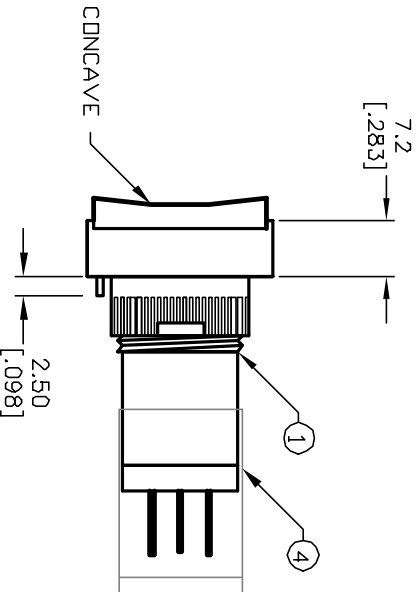
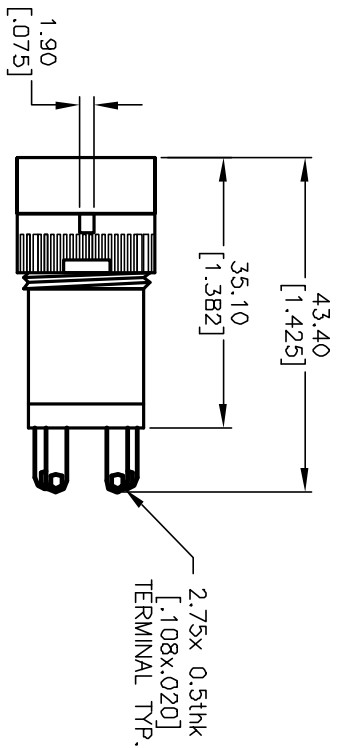
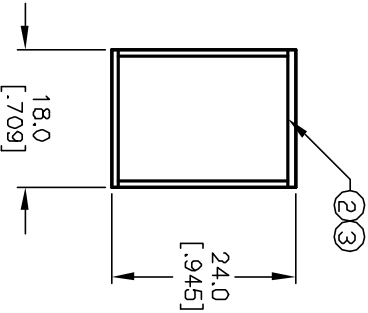


RECOMMEND PANEL MOUNTING



SPST
CONTACT CONFIGURATION



NOTES:

1. ALL DIMENSIONS IN MM [INCH]
2. GENERAL TOLERANCE: X.X=±0.4
X.XX=±0.25
3. TERM. NOS. FOR REFERENCE ONLY.
4. RATING: 5A@250V AC;
BA@125V AC
5. MECHANICAL LIFETIME: >2 MILLION OPERATIONS
6. TRAVEL: 3.0MM (TOTAL)
7. CONTACT MATERIAL: COPPER ALLOY W/SILVER PLATING
8. LAMP VOLTAGE: 24V DC

PARTS LIST

ITEM	QTY.	PART NO.	PART DESCRIPTION
1	1	F040012	P16 EE T11
2	1	F050424	50-004-24 (YEL L.E.D.)
3	1	F050206	50-002-06 (YEL LENS TRANSPARENT)
4	1	F051601	P16 PLASTIC TERMINAL PROTECTOR

E-SWITCH®

REV.	ECN No.	DESCRIPTION	DATE	CHKD
A	12523	RELEASED FOR PRODUCTION	10/30/02	CB

TITLE	SCALE	DATE	DR	DWG	REV
P16 EE T11 K YEL YEL (Latching) TRANSPARENT /CONCAVE LENS	1.5:1	--	--	XF0074P	A

THE INFORMATION CONTAINED IN THIS DOCUMENT IS PROPRIETARY TO E-SWITCH AND IS NOT TO BE COPIED OR TRANSFERRED

Mouser Electronics

Authorized Distributor

Click to View Pricing, Inventory, Delivery & Lifecycle Information:

[E-Switch:](#)

[P16EET11KYELYEL](#)