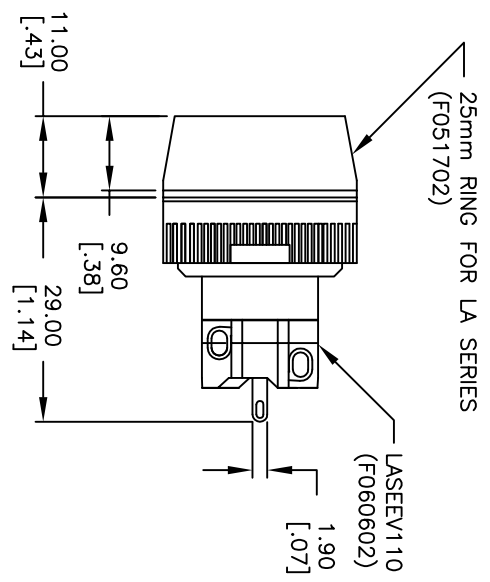
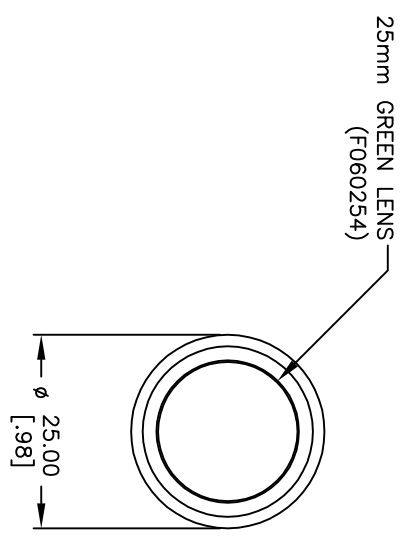


RECOMMENDED PANEL MOUNTING

1.0 ± 0.2
3.0 ± 0.4
a-(D)-b (+)

SPST
CONTACT CONFIGURATION

- NOTES:
1. ALL DIMENSIONS IN MM [INCH]
 2. GENERAL TOLERANCE: 0.0=±0.4
0.00=±0.25
 3. RATINGS: 250VAC @1A, 2A, 4A, 5A



A	11183	RELEASED FOR PRODUCTION	1/18/01	CJB
REV.	ECN No.	DESCRIPTION	DATE	CHKD
THE INFORMATION CONTAINED IN THIS DOCUMENT IS PROPRIETARY TO E-SWITCH AND IS NOT TO BE COPIED OR TRANSFERRED				

TITLE		SCALE		DATE	DR	DWG	REV
LAS EE V1 10 GRN		1:1		1/18/01	CJB	XF0280A	A

Mouser Electronics

Authorized Distributor

Click to View Pricing, Inventory, Delivery & Lifecycle Information:

[E-Switch:](#)

[LASEEV110G](#)