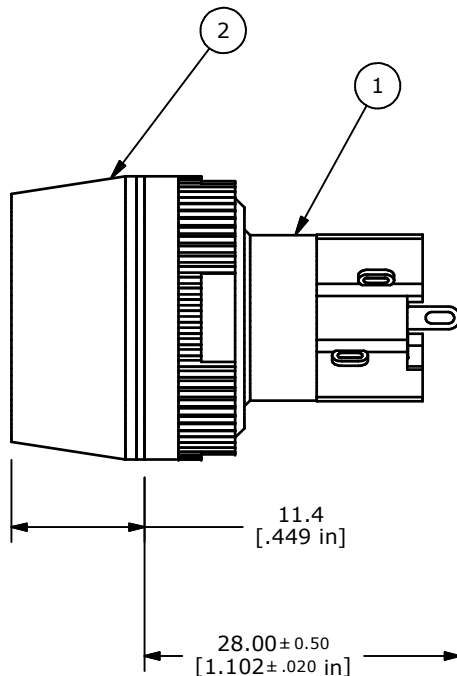
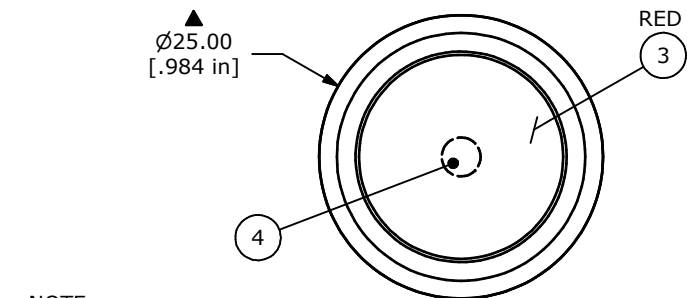
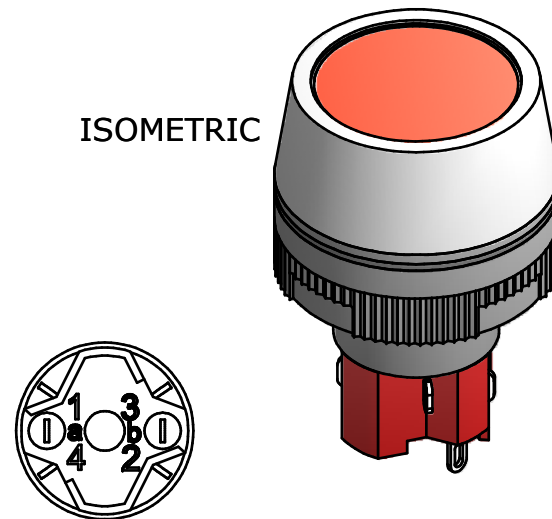


SPDT (LATCHING)
CONTACT CONFIGURATION



Parts List			
ITEM	QTY	PART NUMBER	DESCRIPTION
1	1	F060602	LASEEV11
2	1	F051702	25MM RING FOR LA SERIES
3	1	F060255	25MM RED LENS
4	1	F050404	50-004-04 14V(AC or DC) 80mA INCANDESCENT LAMP

ISOMETRIC



NOTE:

1. ALL DIMENSIONS IN MM [INCH]
2. GENERAL TOLERANCE: X.X=±0.4
X.XX=±0.25
3. TERMINAL NUMBERS FOR REF ONLY
4. RATING: 5 AMPS @ 250VAC UL, VDE
8 AMPS @ 125VAC UL, VDE APPROVED
6 AMPS @ 24VDC
0.2 AMPS @ 250VDC
5. ELECTRIC LIFE: 50,000 MAKE-AND-BREAK CYCLES AT FULL LOAD min.
6. INSULATION RESISTANCE: 1,000 MEGA-OHM MIN.
7. OPERATING TEMP.: -25°C to 55°C
- ▲8. LAMP VOLTAGE: 14 V (AC or DC) INCANDESCENT LAMP
9. PANEL THICKNESS = 0.5 mm TO 4.0 mm
10. ▲DENOTES CRITICAL PARAMETER.
11. PACKAGE: BOX/20 PIECES PER BOX
- ▲12. DEGREE OF PROTECTION: IP 65.
13. TRAVEL: 3.0 mm FULL TRAVEL, 2.0 mm LATCH.
- 14 2002/95/EC (ROHS) COMPLIANT



A	18243	RELEASED FOR PRODUCTION	9/16/08	BLR
REV	PCR NO	DESCRIPTION	DATE	BY

TITLE LASEEV11BRED				
SCALE	DATE	DR	DWG	REV
1.5:1	9/16/2008	BLR	XF0766P	A

THE INFORMATION CONTAINED IN THIS DOCUMENT IS PROPRIETARY TO E-SWITCH AND IS NOT TO BE COPIED OR TRANSFERRED

Mouser Electronics

Authorized Distributor

Click to View Pricing, Inventory, Delivery & Lifecycle Information:

[E-Switch:](#)

[LASEEV11BRED](#)