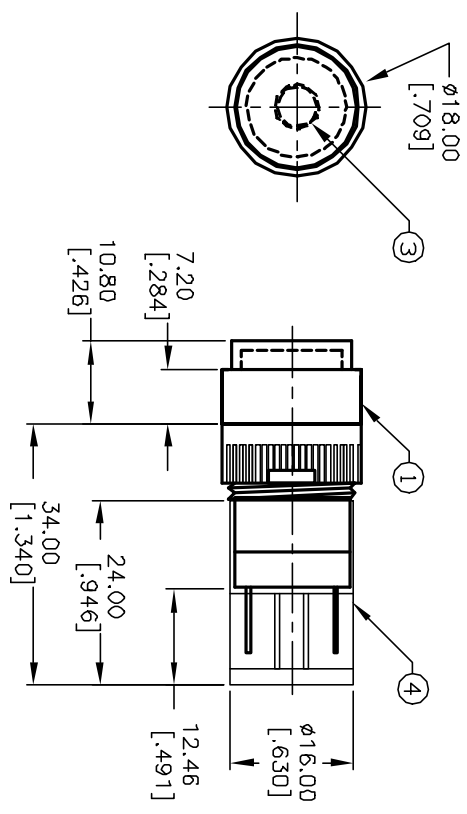
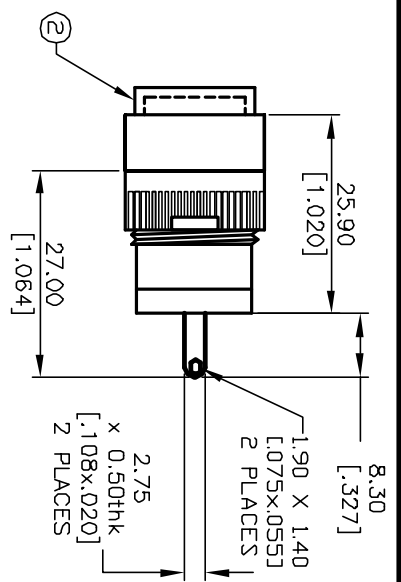


RECOMMENDED PANEL MOUNTING

1 0 1 0 2
3 0 0 4
a-D-b (+)

CONTACT CONFIGURATION



NOTES:

1. ALL DIMENSIONS IN MM [INCH]
2. GENERAL TOLERANCE: X.X=±0.4
X.XX=±0.25
3. TERM. NOS. FOR REFERENCE ONLY.
4. RATING: 5A@250V AC / 8A@125V AC
5. MECHANICAL LIFETIME: >2 MILLION OPERATIONS
6. TRAVEL: 3.0MM
7. CONTACT MATERIAL: COPPER ALLOY W/SILVER PLATING

C	12962	CORRECT PART # FOR ITEM 1	3/26/03	AR
B	12947	CORRECT PARTS LIST	3/24/03	AR
A	12917	RELEASED FOR PRODUCTION	3/17/03	AR
REV.	ECN No.	DESCRIPTION	DATE	CHKD

TITLE		SCALE		DATE		DR		DWG		REV	
L16PLR10K YEL GRN		1.5:1		3/17/03		AR		XF0548P		C	



PARTS LIST			
ITEM	QTY.	PART NO.	PART DESCRIPTION
1	1	F040003	L16PLR10
2	1	F050112	50-001-12 (GREEN)
3	1	F050424	50-004-24 (YELLOW LED)
4	1	F051601	P16 PLASTIC TERMINAL PROTECTOR

Mouser Electronics

Authorized Distributor

Click to View Pricing, Inventory, Delivery & Lifecycle Information:

[E-Switch:](#)

[L16PLR10KYELGRN](#)