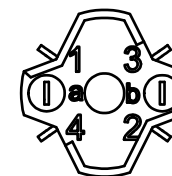
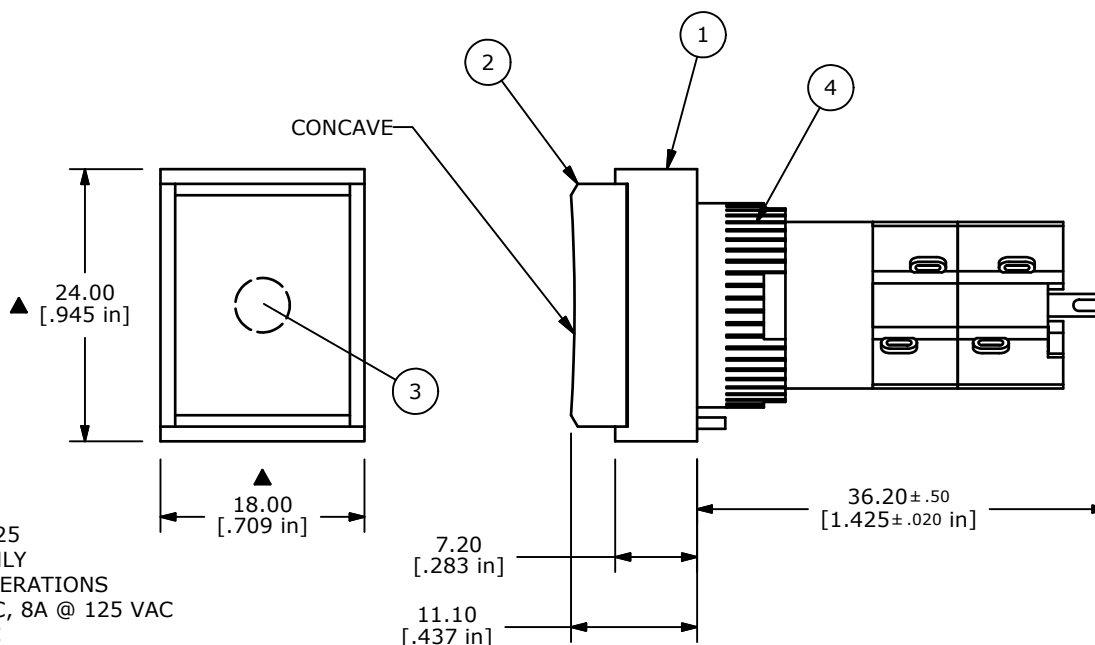
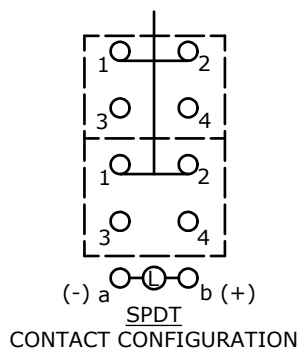


ISOMETRIC

PARTS LIST			
ITEM	QTY	PART NUMBER	DESCRIPTION
1	1	F040035	D16OAT12
2	1	F052202	50-002-02 GREEN OPAQUE RECTANGULAR CONCAVE
3	1	F050416	50-004-16 6VDC LED GREEN
4	1	F051703	D16 LOCK RING



NOTE:

1. ALL DIMENSIONS IN MM [INCH]
2. GENERAL TOLERANCE: X.X=±0.4
X.XX=±0.25
3. TERMINAL NUMBERS FOR REF ONLY
4. MECHANICAL LIFE: 2,000,000 OPERATIONS
5. CONTACT RATING: 5A @ 250 VAC, 8A @ 125 VAC
6A @ 24 VDC
6. SEAL RATING: IP40
7. MOUNTING PANEL THICKNESS: 0.5 - 5.0 mm
8. INSULATION RESISTANCE: 1,000 MILLI-OHM MIN.
9. OPERATING TEMP.: -25°C to 55°C
10. FULL TRAVEL: 3.0 mm
- ▲11. LAMP VOLTAGE: 6VDC LED GREEN
12. ▲ DENOTES CRITICAL PARAMETER.
13. 2002/95/EC (ROHS) COMPLIANT.



A	20309	RELEASED FOR PRODUCTION	11/28/11	BGL
REV	PCR NO	DESCRIPTION	DATE	BY

TITLE D16OAT12HGRNGRN				
SCALE	DATE	DR	DWG	REV
1.5:1	11/29/2011	BGL	XF0847P	A

THE INFORMATION CONTAINED IN THIS DOCUMENT IS PROPRIETARY TO E-SWITCH AND IS NOT TO BE COPIED OR TRANSFERRED

Mouser Electronics

Authorized Distributor

Click to View Pricing, Inventory, Delivery & Lifecycle Information:

[E-Switch:](#)

[D16OAT12HGRNGRN](#)