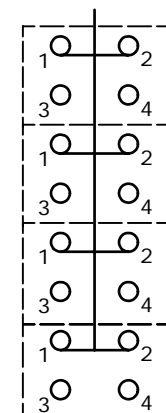
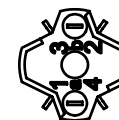
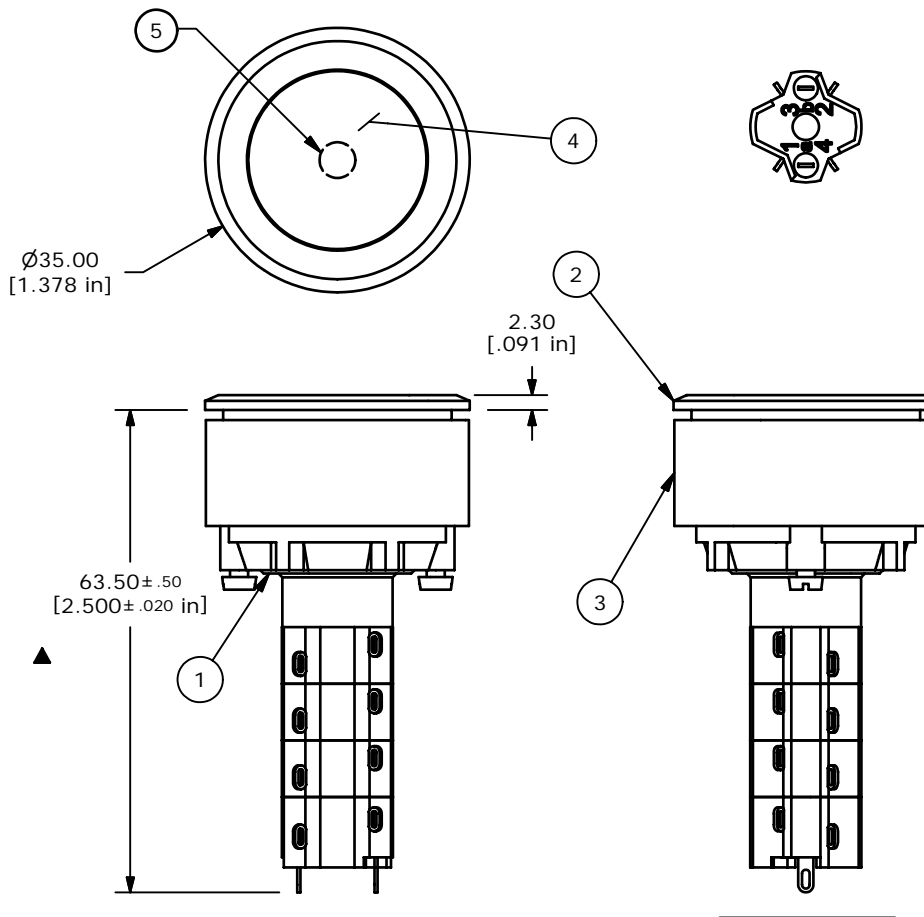


▲ Parts List				
ITEM	QTY	PART NUMBER	DESCRIPTION	
1	1	F060618	LASEEU14 BODY	
2	1	F051706	35MM FLUSH MOUNT BEZEL	
3	1	F051707	35MM FLUSH MOUNT RETAINER	
4	1	F060298	29MM YELLOW LENS OPAQUE	
5	1	F050424	LED 24VDC YELLOW	



a ○ ○ ○ ○ b (+)

4PDT

▲ CONTACT CONFIGURATION

NOTES:

1. ALL DIMENSIONS IN MM [INCH].
2. GENERAL TOLERANCE: 0.0=± 0.4  
0.00=± 0.25
3. TERM. NOS. FOR REF. ONLY.
4. RATING: 5A @250VAC  
8A @125VAC  
.2A @250VDC  
6A @24VDC
5. INSULATION: 1,000 MΩ MIN.
6. DIELECTRIC STRENGTH: 2000V FOR 1 MIN.
7. SEALED TO IP65.
8. TRAVEL: 3.0MM FULL TRAVEL, 2.0MM LATCH
9. ELECTRICAL LIFE: >50,000 CYCLES
10. OPERATING TEMP: -25C TO +55C
11. PANEL THICKNESS: 0.5MM TO 3.0MM
12. LAMP VOLTAGE: LED, 24VDC YELLOW
13. ▲ DENOTES CRITICAL PARAMETER.
14. 2002/95/EC (ROHS) COMPLIANT



A	18462	RELEASED FOR PRODUCTION	3/27/09	BLR
REV	PCR NO	DESCRIPTION	DATE	BY

TITLE LASEEU34KYELYEL				
SCALE	DATE	DR	DWG	REV
1 : 1	3/27/2009	BLR	XF0789P	A

THE INFORMATION CONTAINED IN THIS DOCUMENT IS PROPRIETARY TO E-SWITCH AND IS NOT TO BE COPIED OR TRANSFERRED

# Mouser Electronics

Authorized Distributor

Click to View Pricing, Inventory, Delivery & Lifecycle Information:

[E-Switch:](#)

[LASEEU34KYELYEL](#)