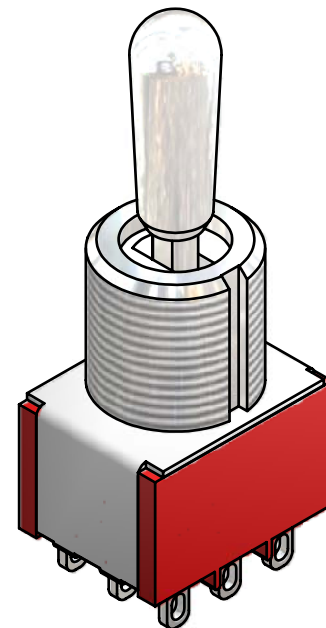
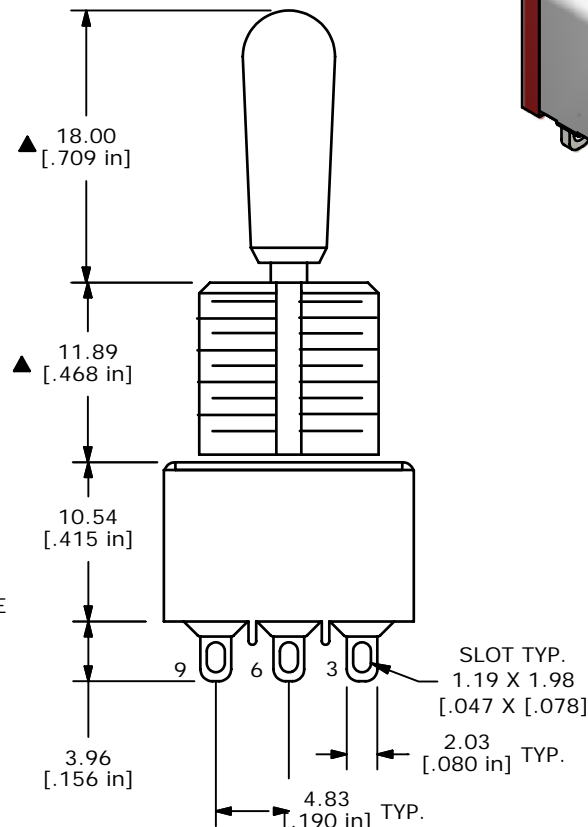
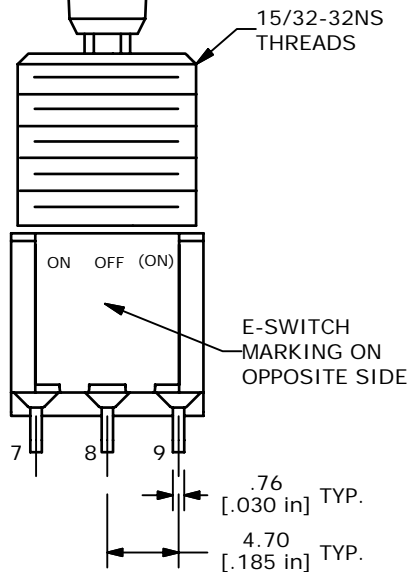
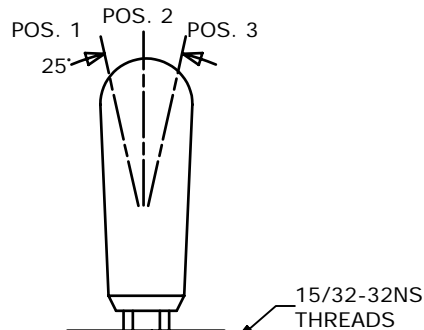
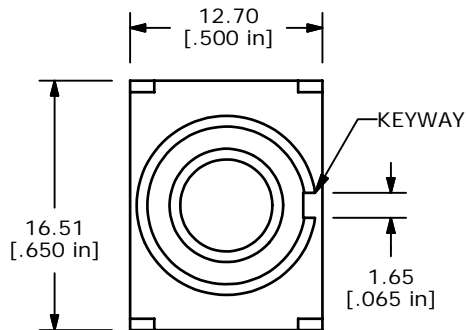
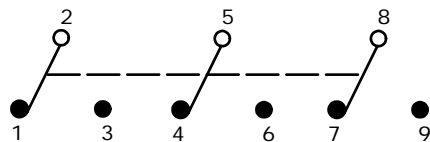


SWITCH FUNCTION		
POS. 1	POS. 2	POS. 3
ON	OFF	(ON)
2-3, 5-6, 8-9	OPEN	2-1, 5-4, 8-7



ISOMETRIC



CIRCUIT: 3PDT

- NOTE:
1. ALL DIMENSIONS IN MM [INCH]
 2. GENERAL TOLERANCE: X.X=±0.4
X.XX=±0.25
 3. TERMINAL NUMBERS FOR REFERENCE ONLY
 4. PLATING MATERIAL: SILVER
 - ▲ 5. RATING: 5 AMP W/RESISTIVE LOAD @ 120VAC OR 28VDC
2 AMPS 2/RESISTIVE LOAD @ 250VAC
 6. ELECTRIC LIFE: 40,000 make-and-break cycles at full load.
 7. INSULATION RESISTANCE: 1,000 Mega-ohm min.
 8. DIELECTRIC STRENGTH: 1,000 V RMS @sea level.
 9. OPERATING TEMP.: -30°C to 85°C
 10. ▲ DENOTES CRITICAL PARAMETER.
 11. 2002/95/EC (ROHS) COMPLIANT



B	17060	FIXED TERMINALS, NOTES	3/5/07	TN
A	13712	RELEASED FOR PRODUCTION	1/16/04	TN
REV	PCR NO	DESCRIPTION	DATE	BY

TITLE 1003P5T8B13M1QE				
SCALE 2:1	DATE 3/5/2007	DR TN	DWG T134007	REV B

THE INFORMATION CONTAINED IN THIS DOCUMENT IS PROPRIETARY TO E-SWITCH AND IS NOT TO BE COPIED OR TRANSFERRED

Mouser Electronics

Authorized Distributor

Click to View Pricing, Inventory, Delivery & Lifecycle Information:

[E-Switch:](#)

[1003P5T8B13M1QE](#)