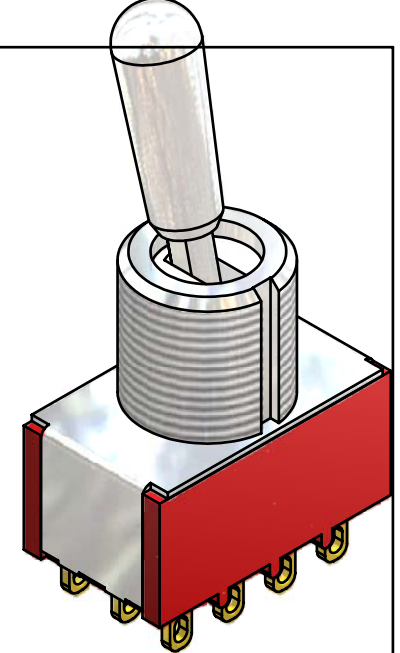
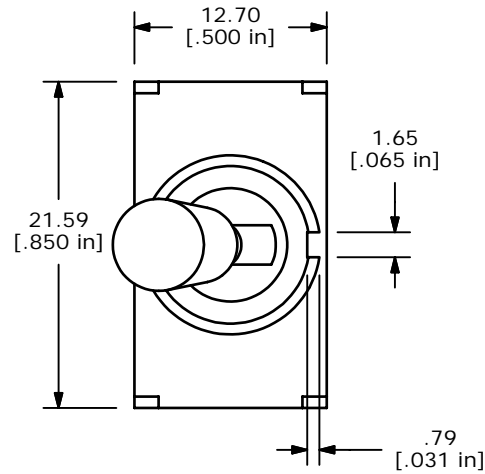
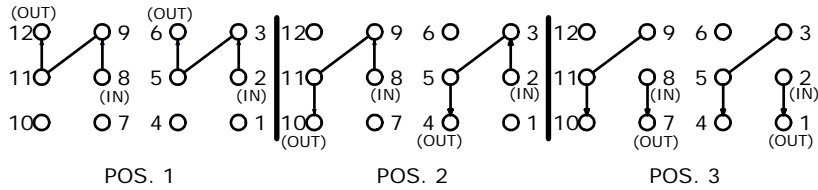


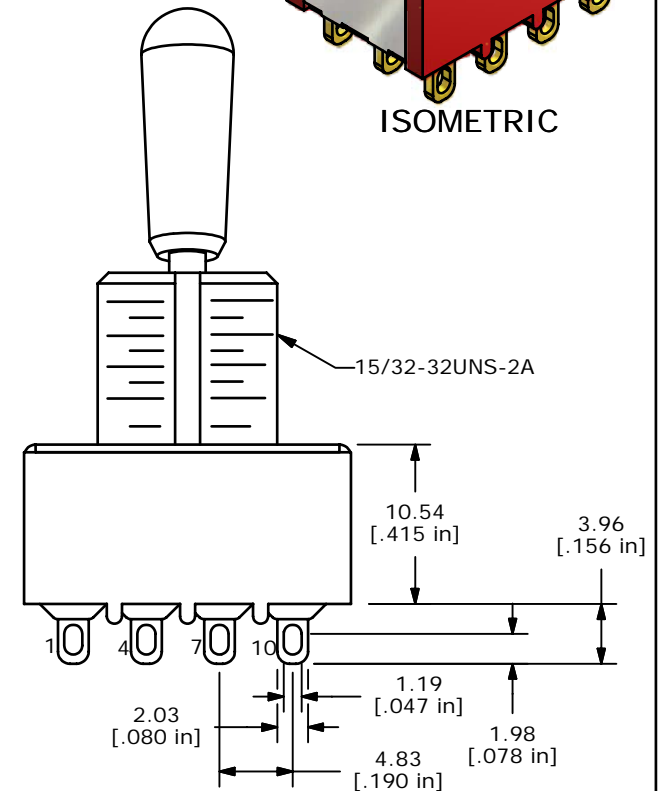
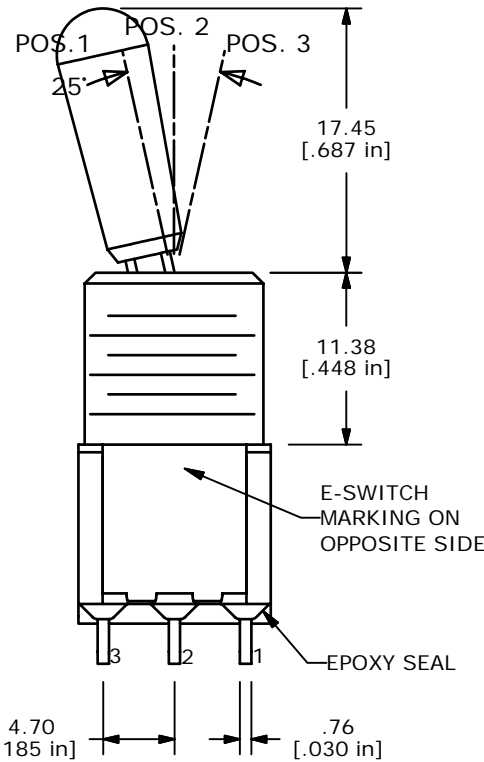
SWITCH FUNCTION		
POS. 1	POS. 2	POS. 3
ON	ON	ON
2-3, 5-6, 8-9, 11-12	2-3, 5-4, 8-9, 11-10	2-1, 5-4, 8-7, 11-10



ISOMETRIC



4PDT 3 WAY CIRCUIT  
NOTE: JUMPER PIN 3 TO 5



- NOTE:
1. ALL DIMENSIONS IN MM [INCH]
  2. GENERAL TOLERANCE: X.X=±0.4  
X.XX=±0.25
  3. TERMINAL NUMBERS FOR REF ONLY
  - ▲ 4. PLATING MATERIAL: SILVER
  5. RATING: 2A @ 250VAC  
5A @ 120VAC OR 28VDC
  6. ELECTRIC LIFE: 40,000 MAKE-AND-BREAK CYCLES AT FULL LOAD.
  7. INSULATION RESISTANCE: 1,000 MEGA-OHM MIN.
  8. DIELECTRIC STRENGTH: 1,000 V RMS @SEA LEVEL.
  9. OPERATING TEMP.: -30°C to 85°C
  10. ▲ DENOTES CRITICAL PARAMETER.
  11. 2002/95/EC (ROHS) COMPLIANT.
  12. HARDWARE TO BE SHIPPED BULK  
T100004 - HEXNUT - QTY 2  
T100012 - LOCKWASHER - QTY 1  
T100003 - LOCKRING - QTY 1

**E-SWITCH®**

B	16518	INVENTOR DRAWN, EDITS DONE	10/06/2006	TN
REV	PCR NO	DESCRIPTION	DATE	BY

TITLE	1004P6T8B13M1QEH			
-------	------------------	--	--	--

SCALE	2:1	DATE	10/6/2006	DR	TN	DWG	ST146001	REV	B
-------	-----	------	-----------	----	----	-----	----------	-----	---

THE INFORMATION CONTAINED IN THIS DOCUMENT IS PROPRIETARY TO E-SWITCH AND IS NOT TO BE COPIED OR TRANSFERRED

# Mouser Electronics

Authorized Distributor

Click to View Pricing, Inventory, Delivery & Lifecycle Information:

[E-Switch:](#)

[1004P6T8B13M1QEH](#)