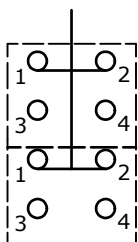
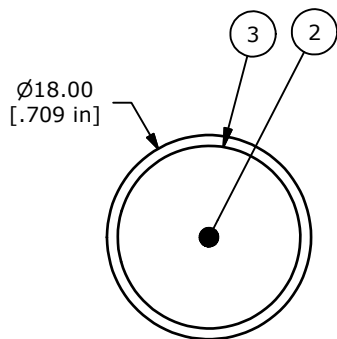


PARTS LIST				
ITEM	QTY	PART NUMBER	DESCRIPTION	
1	1	F040016	D16EER12	
2	1	F050405	50-004-05 28VAC INCANDESCENT	
3	1	F050110	50-001-13 ORANGE FLAT TRANSPARENT LENS	

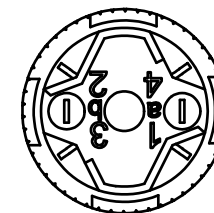
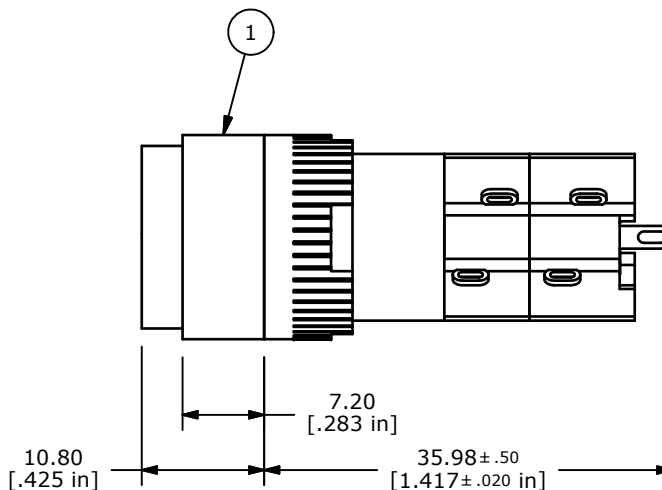
PANEL MOUNTING
PANEL THK. 0.5 - 5 mm



a ○ — ○ — ○ b (+)

DPDT

CONTACT CONFIGURATION



NOTE:

1. ALL DIMENSIONS IN MM [INCH]
2. GENERAL TOLERANCE: X.X=±0.4
X.XX=±0.25
3. TERMINAL NUMBERS FOR REF ONLY
4. MECHANICAL LIFE: 2,000,000 OPERATIONS
5. CONTACT RATING: 5A @ 250 VAC, 8A @ 125 VAC
6A @ 24 VDC
5. INSULATION RESISTANCE: 1,000 MILLI-OHM MIN.
6. OPERATING TEMP.: -25°C to 55°C
- ▲ 7. LAMP VOLTAGE: 28VAC INCANDESCENT
8. ▲ DENOTES CRITICAL PARAMETER.
9. 2002/95/EC (ROHS) COMPLIANT.



A	19471	RELEASED FOR PRODUCTION	11/29/10	BMA
REV	PCR NO	DESCRIPTION	DATE	BY

TITLE D16EER12CORG				
SCALE 2:1	DATE 11/29/2010	DR BMA	DWG XF0833P	REV A

THE INFORMATION CONTAINED IN THIS DOCUMENT IS PROPRIETARY TO E-SWITCH AND IS NOT TO BE COPIED OR TRANSFERRED

Mouser Electronics

Authorized Distributor

Click to View Pricing, Inventory, Delivery & Lifecycle Information:

[E-Switch:](#)

[D16EER12CORG](#)