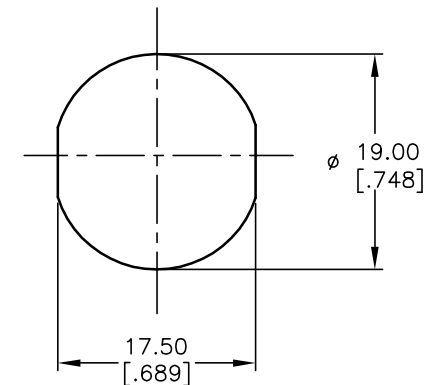


CIRCUIT: SPST  
CONTACT CONFIGURATION

SWITCH FUNCTION	
POS 1	POS 2
↑	→
OFF	ON



RECOMMENDED PANEL CUTOUT

LEGEND  
 ● = INDICATE NO KEY PULL  
 ⊙ = INDICATES KEY PULL POSSIBLE

- NOTES:
1. ALL DIMENSIONS IN MM [INCH]
  2. GENERAL TOLERANCE: X.X=±0.4  
X.XX=±0.25
  3. TERM. NOS. FOR REFERENCE ONLY.
  4. RATING: 4A @125VAC, 2A @250VAC
  5. CONTACT RESISTANCE: 10mILLI-OHMS
  6. DIELECTRIC STRENGTH: 1500 VAC-1Minute
  7. INSULATION RESISTANCE: 500 Mega-OHMS
  8. MATERIALS:  
 HOUSING: ZINC ALLOY DIE CAST  
 CYLINDER: ZINC ALLOY W/CHROME PLATING  
 TERMINAL AND CONTACTS: SILVER PLATED  
 TUMBLER: 5 DISC MECHANISM W/DUST SHUTTER  
 KEYS 7323 (2): BRASS W/NICKEL PLATING  
 DOUBLE CUT REVERSIBLE

**E-SWITCH®**

A	14089	RELEASED FOR PRODUCTION	6/10/04	AR
REV.	ECN No.	DESCRIPTION	DATE	CHKD

TITLE				
K0119A-7323				
SCALE	DATE	DR	DWG	REV
1.5:1	6/10/04	AR	K200153	A

THE INFORMATION CONTAINED IN THIS DOCUMENT IS PROPRIETARY TO E-SWITCH AND IS NOT TO BE COPIED OR TRANSFERRED

# Mouser Electronics

Authorized Distributor

Click to View Pricing, Inventory, Delivery & Lifecycle Information:

[E-Switch:](#)

[KO119A7323](#)