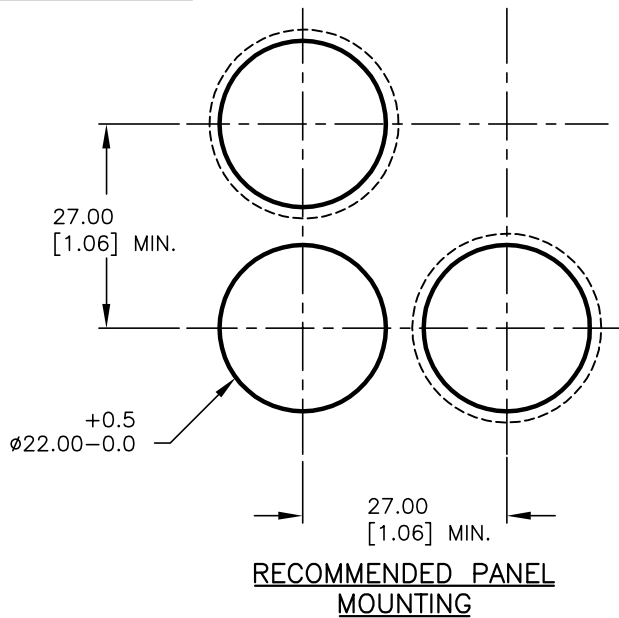


Item	Qty.	Dwg. No.	Part No.
1	1	F051702	25mm RING FOR LA SERIES
2	1	F060600	LAPPLV10
3	1	F050405	50-004-05 28 VOLT INCANDESCENT
4	1	F061256	25mm YEL LENS (TRANSPARENT)

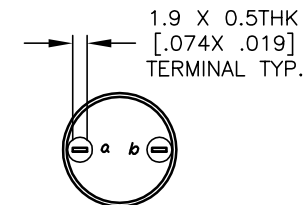
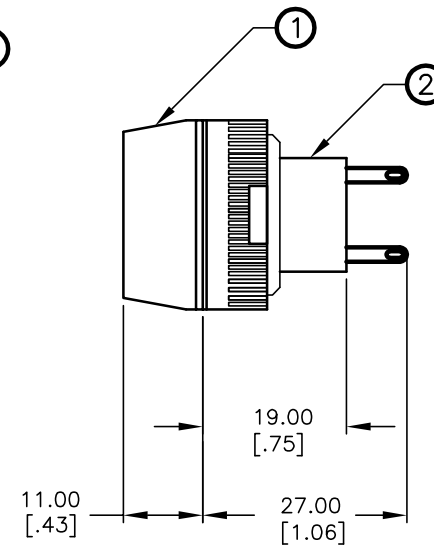
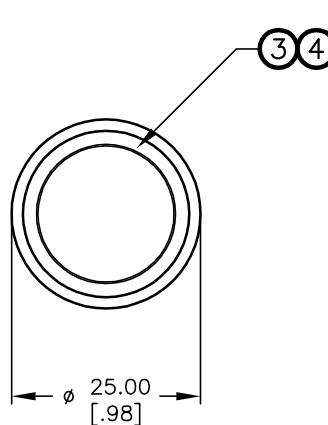


a-(L)-b (+)

PILOT INDICATOR

NOTES:

1. ALL DIMENSIONS IN MM [INCH]
2. GENERAL TOLERANCE: X.X=±0.4  
X.XX=±0.25
3. RATINGS: 5A@250V AC,  
8A@125V AC
4. CONTACT MATERIAL: COPPER ALLOY W/Gold Plating
5. MECHANICAL LIFE: >100,000 Cycles
6. ELECTRICAL LIFE: >50,000 Cycles
7. INSULATION RESISTANCE: >1000 MILLI-OHMS
8. OPERATING TEMP: -20°C to 55°C
- ▲ 9. LAMP VOLTAGE: 28V AC/DC (INCANDESCENT)
10. ▲ DENOTES CRITICAL PARAMETER.



REAR VIEW  
ROTATED FOR  
CLARITY  
ONLY

**E-SWITCH®**

TITLE		LAPPLV10CYEL			
SCALE	DATE	DR	DWG	REV	
1:1	3/16/04	AR	XF0583P	A	

REV.	ECN No.	DESCRIPTION	DATE	CHKD
A	13832	RELEASED FOR PRODUCTION	3/16/04	AR

THE INFORMATION CONTAINED IN THIS DOCUMENT IS PROPRIETARY TO E-SWITCH AND IS NOT TO BE COPIED OR TRANSFERRED

# Mouser Electronics

Authorized Distributor

Click to View Pricing, Inventory, Delivery & Lifecycle Information:

[E-Switch:](#)

[LAPPLV10CYEL](#)