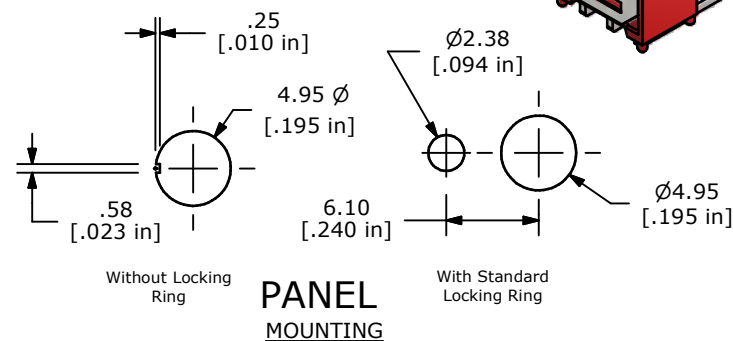
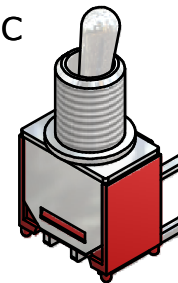
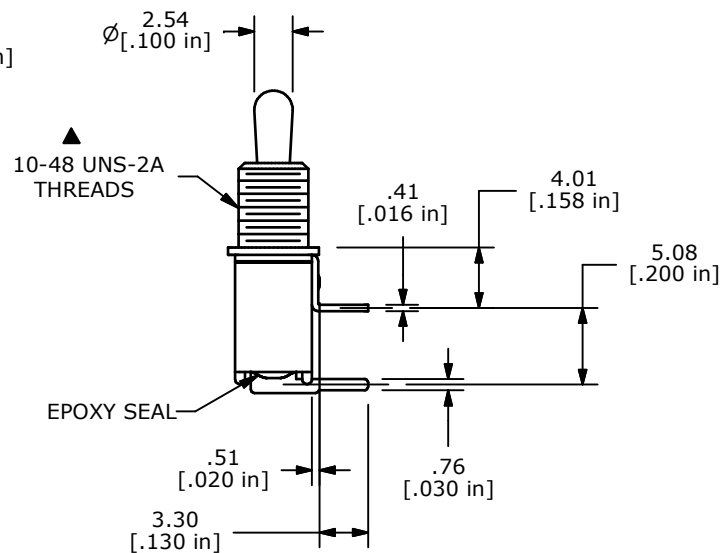
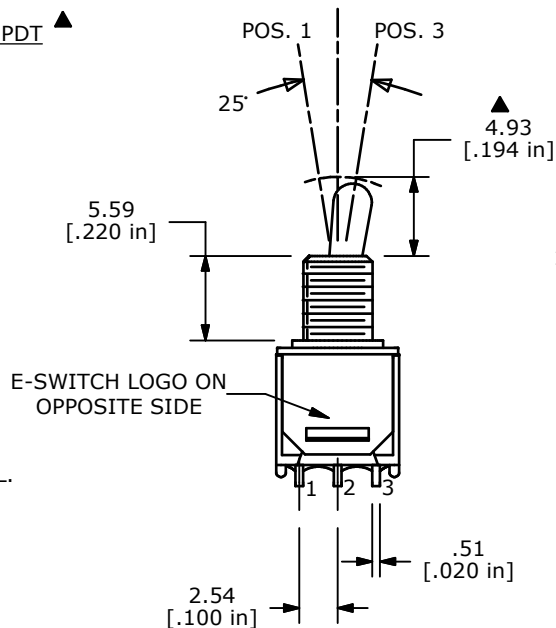
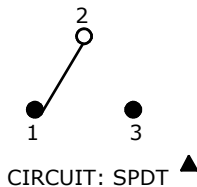


ISOMETRIC



SWITCH FUNCTION		
POS. 1	POS. 2	POS. 3
ON	OFF	ON
2-3	OPEN	2-1



NOTE:

1. ALL DIMENSIONS IN MM [INCH]
2. GENERAL TOLERANCE: X.X=±0.4
X.XX=±0.25
3. TERMINAL NUMBERS FOR REF ONLY
- ▲ 4. PLATING MATERIAL: SILVER
5. RATING: 3A @ 120VAC; 1A @ 250VAC
6. LIFE EXPECTANCY: 30,000 MAKE-AND-BREAK CYCLES AT FULL LOAD.
7. INSULATION RESISTANCE: 1,000 MΩ MIN.
8. DIELECTRIC STRENGTH: 1,000 V RMS @SEA LEVEL.
9. OPERATING TEMP.: -30°C to 85°C
- ▲ 10. DENOTES CRITICAL PARAMETER.
11. 2002/95/EC (ROHS) COMPLIANT.
12. HARDWARE TO BE SHIPPED BULK
T200001 - HEXNUT - QTY 2
T200000 - LOCKWASHER - QTY 1
T100003 - LOCKRING - QTY 1



A	18530	RELEASED FOR PRODUCTION	5/21/09	BLR
REV	PCR NO	DESCRIPTION	DATE	BY

TITLE 200MSP3T2B3M6QEH				
SCALE	DATE	DR	DWG	REV
2:1	5/21/2009	BLR	ST221070	A

THE INFORMATION CONTAINED IN THIS DOCUMENT IS PROPRIETARY TO E-SWITCH AND IS NOT TO BE COPIED OR TRANSFERRED

Mouser Electronics

Authorized Distributor

Click to View Pricing, Inventory, Delivery & Lifecycle Information:

[E-Switch:](#)

[200MSP3T2B3M6QEH](#)