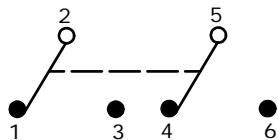


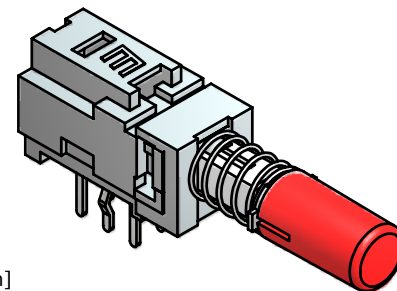
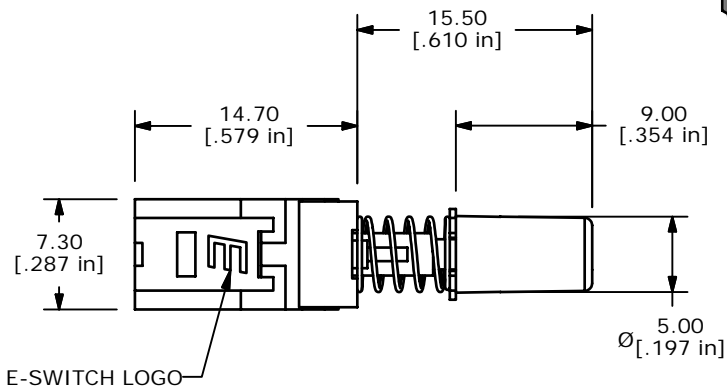
P.C. MOUNTING



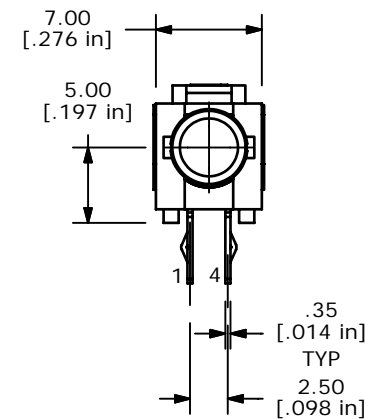
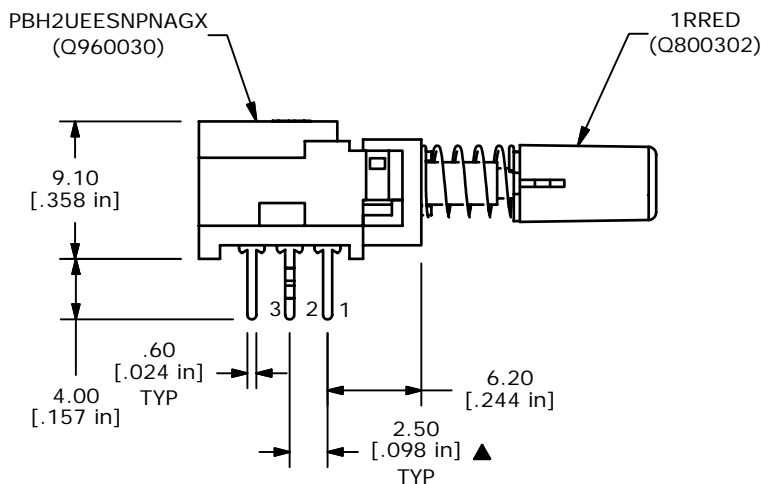
CIRCUIT: 2PDT

NOTES:

1. ALL DIMENSIONS IN MM [INCH]
2. GENERAL TOLERANCE: X.X=±0.4
X.XX=±0.25
3. TERM. NOS. FOR REFERENCE ONLY.
- ▲4. RATING 0.1A @30V DC
5. MATERIALS:
CONTACT/TERMINALS: SILVER PLATE
HOUSING: PBT UL94HB
BASE: PA66 UL94HB
ACTUATOR: POM
6. CONTACT RESISTANCE: 100 MILLI-OHM (INITIAL)
- ▲7. TIMING: NON-SHORTING
8. OPERATING FORCE: 230±50GF
9. TRAVEL: LATCHING
2MM TO LOCK
3MM OVERALL
10. ELECTRICAL LIFE: 10000 CYCLES
11. OPERATING TEMP: -20°C TO +70°C
12. ▲DENOTES CRITICAL PARAMETER.
- 13 2002/95/EC (ROHS) COMPLIANT



ISOMETRIC



TITLE PBH2UEESNPAG1RRED

A	17080	RELEASED FOR PRODUCTION	3/12/07	TN
REV	PCR NO	DESCRIPTION	DATE	BY

THE INFORMATION CONTAINED IN THIS DOCUMENT IS PROPRIETARY TO E-SWITCH AND IS NOT TO BE COPIED OR TRANSFERRED

SCALE	DATE	DR	DWG	REV
2:1	3/12/2007	TN	XQ0029P	A

Mouser Electronics

Authorized Distributor

Click to View Pricing, Inventory, Delivery & Lifecycle Information:

[E-Switch:](#)

[PBH2UEESNPAG1RRED](#)