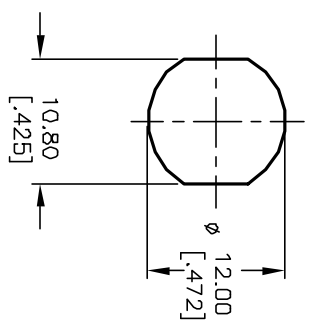


CIRCUIT: SPST
CONTACT CONFIGURATION

SWITCH FUNCTION	POS 1	POS 2
↶		
↷		
DNF		DN

LEGEND
 ○ = OFF POSITION
 ■ = INDICATES KEY PULL
 ✕ = INDICATES NO KEY PULL



RECOMMENDED PANEL CUTOUT

- NOTES:
1. ALL DIMENSIONS IN MM [INCH]
 2. GENERAL TOLERANCE: X.X=±0.4
X.XX=±0.25
 3. TERM. NOS. FOR REFERENCE ONLY.
 4. RATING: 1A @125VAC, 0.5A @250VAC
 5. CONTACT RESISTANCE: 10mΩ-1-Ω
 6. DIELECTRIC STRENGTH: 1000 VAC-1Minute
 7. INSULATION RESISTANCE: 200MΩ-Ω
 8. MATERIALS:
 HOUSING: ZINC ALLOY DIE CAST
 CYLINDER: ZINC ALLOY W/CHROME PLATING
 TERMINAL AND CONTACTS: SILVER PLATED
 KEYS (2)KEY CODE 816: ZINC ALLOY, CHROME PLATING

REV.	ECN No.	DESCRIPTION	DATE	CHKD
A	11735	RELEASED FOR PRODUCTION	10/19/01	CJB

TITLE		SCALE		DATE	DR	DWG	REV
K01334-816		1.5:1		10/19/01	CJB	K400112	A



THE INFORMATION CONTAINED IN THIS DOCUMENT IS PROPRIETARY TO E-SWITCH AND IS NOT TO BE COPIED OR TRANSFERRED

Mouser Electronics

Authorized Distributor

Click to View Pricing, Inventory, Delivery & Lifecycle Information:

[E-Switch:](#)

[KO133A816](#)