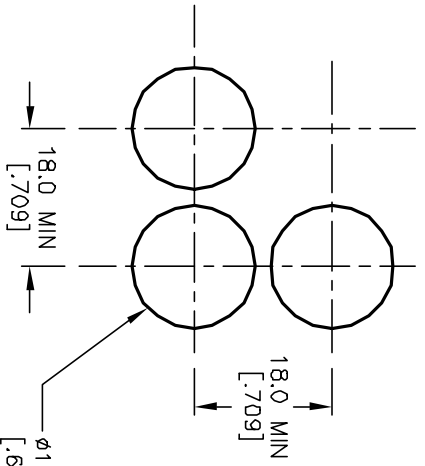
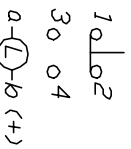


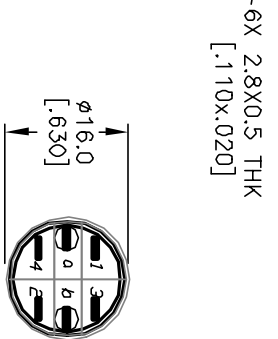
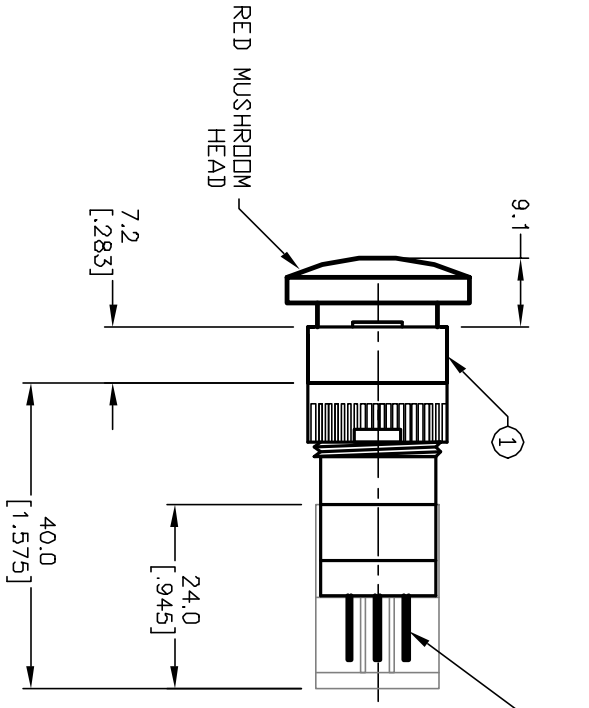
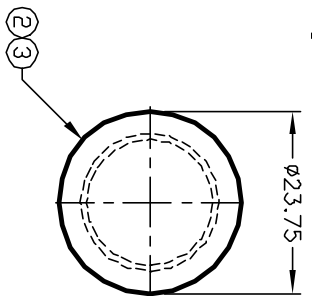
PARTS LIST		
Item	Qty.	Dwg. No. Part No.
1	1	F040015 P16 EE R11
2	1	F050423 50-004-23 (RED LED)
3	1	F051212 50-012-12 (RED LENS TRANSPARENT)
4	-	SUPPLIED P16 PLASTIC TERMINAL PROTECTOR



RECOMMENDED PANEL MOUNTING



SPST
CONTACT CONFIGURATION



NOTES:

1. ALL DIMENSIONS IN MM
2. GENERAL TOLERANCE: X.X=±0.4
X.XX=±0.25
3. RATINGS: 5A @250V AC;
8A @125V AC
4. CONTACT MATERIAL:
COPPER ALLOY W/Silver Plating
5. LAMP VOLTAGE: 24V DC

REV.	ECN No.	DESCRIPTION	DATE	CHKD
A	12134	RELEASED FOR PRODUCTION	5/9/02	CB

TITLE	SCALE	DATE	DR	DWG	REV
P16 EE R1 K RED RED (LATCHING)	1.5:1	10/04/01	CB	XF0448P	A



THE INFORMATION CONTAINED IN THIS DOCUMENT IS PROPRIETARY TO E-SWITCH AND IS NOT TO BE COPIED OR TRANSFERRED

Mouser Electronics

Authorized Distributor

Click to View Pricing, Inventory, Delivery & Lifecycle Information:

[E-Switch:](#)

[P16EER1KREDRED](#)