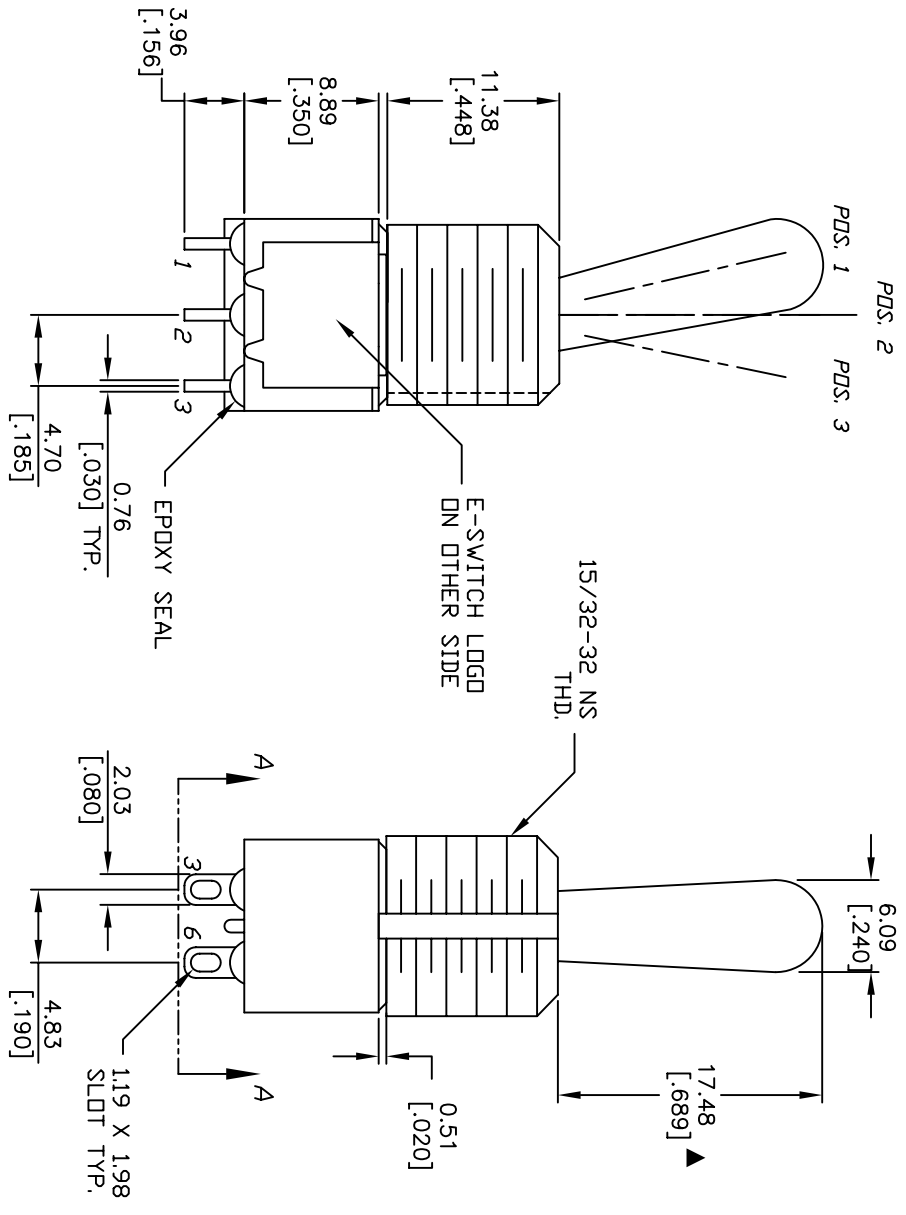
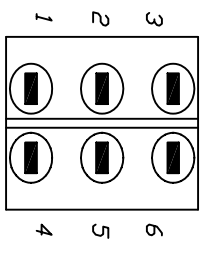
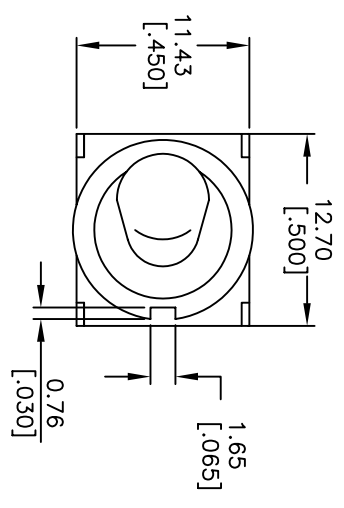


CIRCUIT: DPDT

SWITCH FUNCTION		
PDS 1	PDS 2	PDS 3
DN	OFF	DN
2-3,5-6	DPEN	2-1,5-4

NOTES:

1. ALL DIMENSIONS IN MM [INCH]
2. GENERAL TOLERANCE: X.X=±0.4
X.XX=±0.25
3. TERM. NOS. FOR REF. ONLY
4. RATING: 0.4VA @20V AC or DC max.
5. ELECTRICAL LIFE: 40,000 make-and-break cycles at full load.
6. INSULATION RESISTANCE: 1,000M ohm min.
7. DIELECTRIC STRENGTH: 1000V RMS @sea level
8. OPERATING TEMP.: -30°C to 85°C
9. HARDWARE TO BE SHIPPED BULK:
T100012-LOCK WASHER QTY-1
T100003-LOCK RING QTY-1
T100004-HEX NUT QTY-2
10. 2002/95/EC (ROHS) COMPLIANT
11. CONTACT MATERIAL: GOLD



B	17417	FIXED RATING NOTE	6/27/07	TN	TITLE			SCALE	DATE	DR	DWG	REV
A	15474	RELEASED FOR PRODUCTION	10/28/05	PH	100DPT8B13M1REH			2:1	6/27/07	TN	ST102315	B
REV.	ECN No.	DESCRIPTION	DATE	CHKD								

THE INFORMATION CONTAINED IN THIS DOCUMENT IS PROPRIETARY TO E-SWITCH AND IS NOT TO BE COPIED OR TRANSFERRED



Mouser Electronics

Authorized Distributor

Click to View Pricing, Inventory, Delivery & Lifecycle Information:

[E-Switch:](#)

[100DP3T8B13M1REH](#)