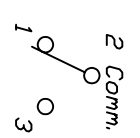
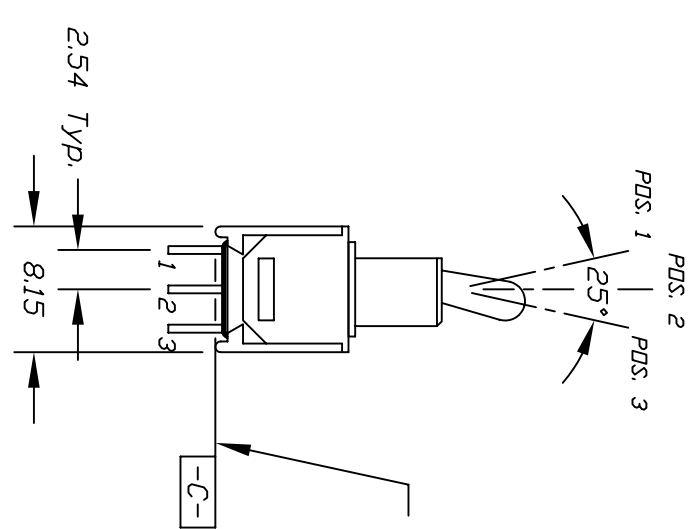
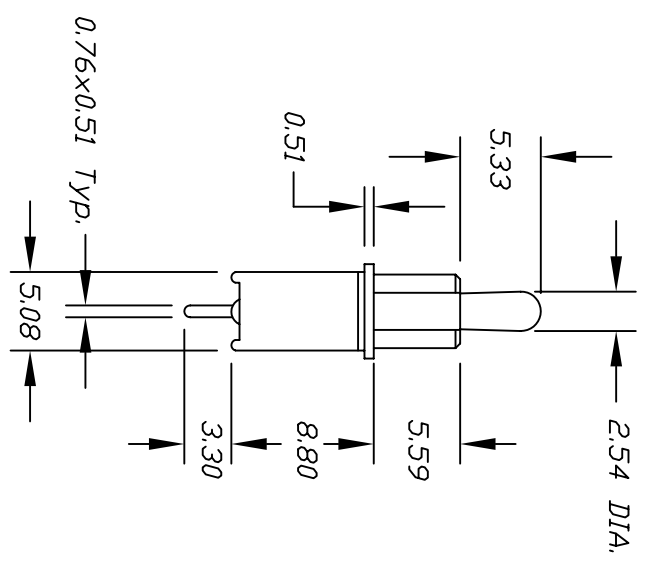


RECOMMEND P.C.B. LAYOUT



CIRCUIT: SPDT

CONTACT CONFIGURATION

SWITCH FUNCTION			
POS. 1	POS. 2	POS. 3	
DN	NONE	DN	
2-3	OPEN	2-1	

NOTES:

1. ALL DIMENSIONS IN MM
2. TERM. NOS. FOR REF ONLY
3. RATING: 3 Amps @120 VAC or 28VDC; 1 Amps @250VAC.

REV.	DESCRIPTION	DATE	CHKD
A	RELEASED FOR PRODUCTION		

THE INFORMATION CONTAINED IN THIS DOCUMENT IS PROPRIETARY TO E-SWITCH AND IS NOT TO BE COPIED OR TRANSFERRED

TOLERANCES	
0.0	±0.4
0.00	±0.25

TITLE		SCALE	DATE	DR	DWG	REV
200 MSP-1 T2 B2 M2 Q E		2:1	5/28/98	MM	T211008	A

**E-SWITCH**

# Mouser Electronics

Authorized Distributor

Click to View Pricing, Inventory, Delivery & Lifecycle Information:

[E-Switch:](#)

[200MSP1T2B2M2QE](#)