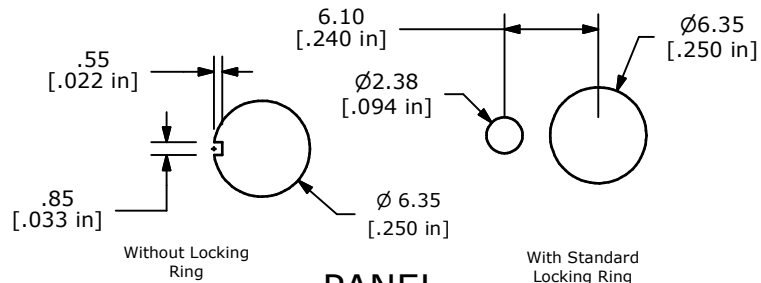
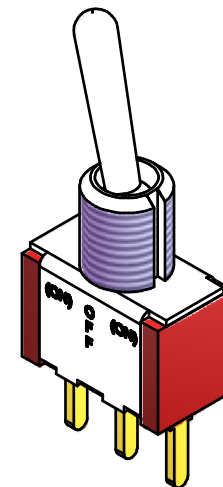


P.C. MOUNTING



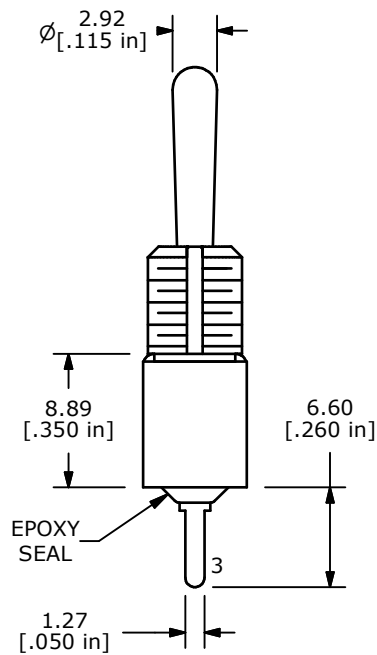
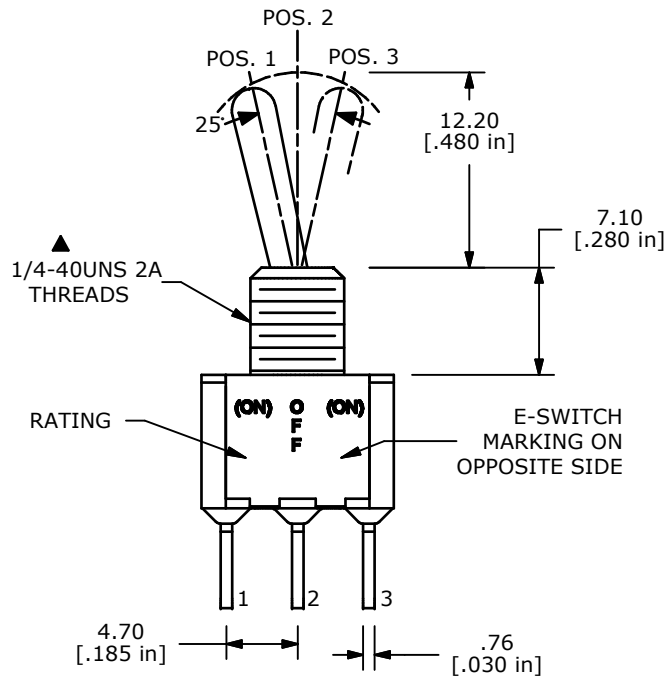
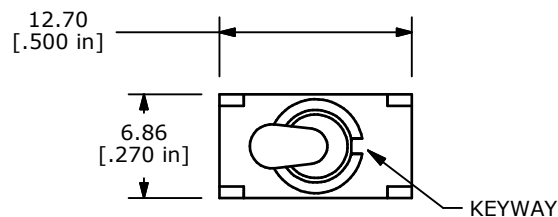
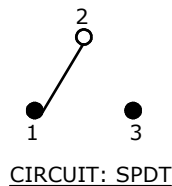
PANEL MOUNTING



ISOMETRIC

| SWITCH FUNCTION |        |        |
|-----------------|--------|--------|
| POS. 1          | POS. 2 | POS. 3 |
|                 |        |        |
| (ON)            | OFF    | (ON)   |
| 2-3             | OPEN   | 2-1    |

(ON) = MOMENTARY



- NOTE:
- ALL DIMENSIONS IN MM [INCH]
  - GENERAL TOLERANCE: X.X=±0.4  
X.XX=±0.25
  - TERMINAL NUMBERS FOR REF ONLY
  - ▲ PLATING MATERIAL: SILVER
  - ▲ RATING: 5A @120VAC or 28 VDC  
2A @250VAC
  - LIFE EXPECTANCY: 40,000 make-and-break cycles at full load.
  - INSULATION RESISTANCE: 1,000 Mega-ohm min.
  - DIELECTRIC STRENGTH: 1,000 V RMS @sea level.
  - CONTACT RESISTANCE: 10 MILLI-OHMS MAX.
  - OPERATING TEMP.: -30°C to 85°C
  - ▲ DENOTES CRITICAL PARAMETER.
  - 2002/95/EC (ROHS) COMPLIANT
  - HARDWARE TO BE SHIPPED BULK  
T100000 - HEXNUT - QTY 2  
T100011 - LOCKWASHER - QTY 1  
T100015 - LOCKRING - QTY 1



|     |        |                         |          |     |
|-----|--------|-------------------------|----------|-----|
| A   | 18345  | RELEASED FOR PRODUCTION | 12/26/08 | BLR |
| REV | PCR NO | DESCRIPTION             | DATE     | BY  |

|                       |            |     |          |     |
|-----------------------|------------|-----|----------|-----|
| TITLE 100SP4T1B3M2QEH |            |     |          |     |
| SCALE                 | DATE       | DR  | DWG      | REV |
| 2:1                   | 12/26/2008 | BLR | ST114003 | A   |

THE INFORMATION CONTAINED IN THIS DOCUMENT IS PROPRIETARY TO E-SWITCH AND IS NOT TO BE COPIED OR TRANSFERRED

# Mouser Electronics

Authorized Distributor

Click to View Pricing, Inventory, Delivery & Lifecycle Information:

[E-Switch:](#)

[100SP4T1B3M2QEH](#)