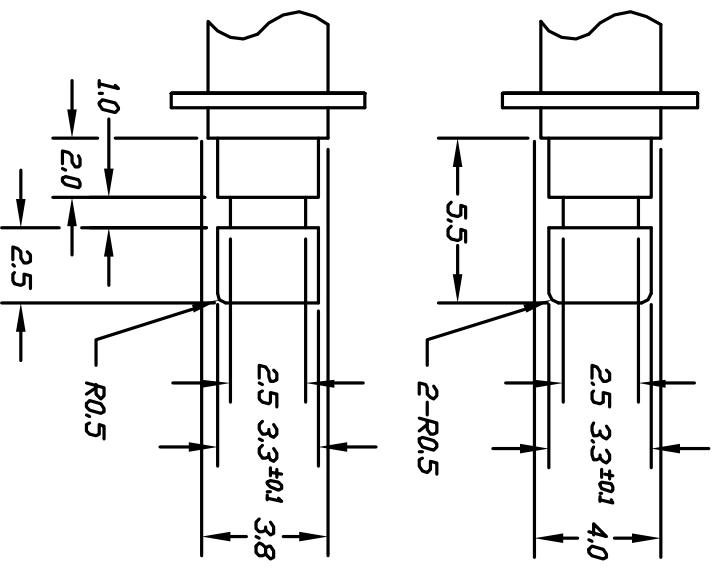
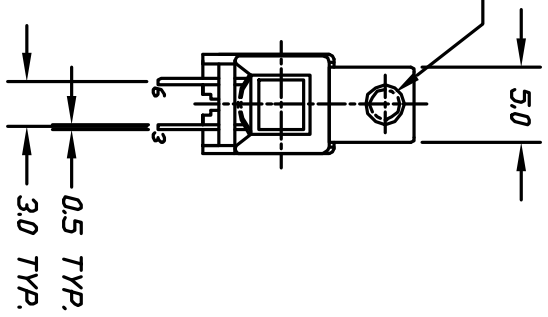
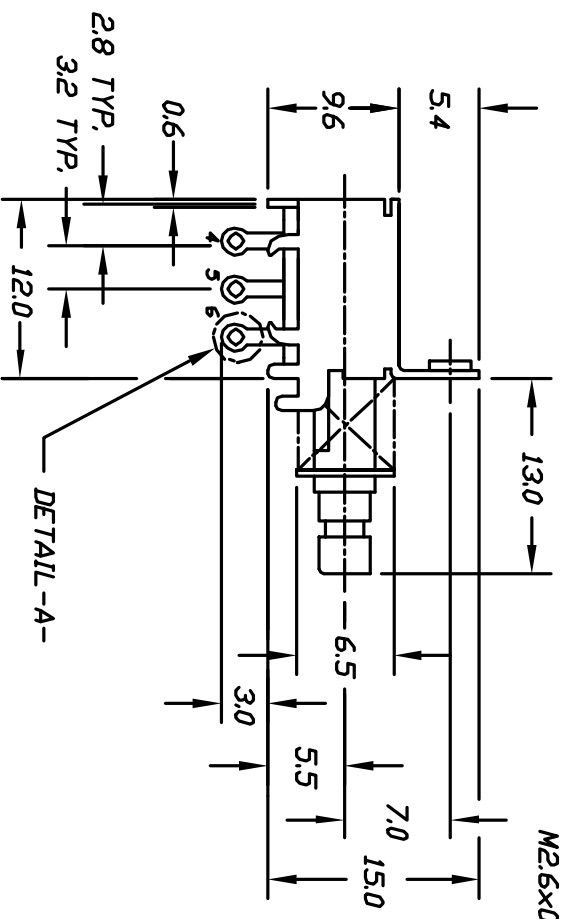
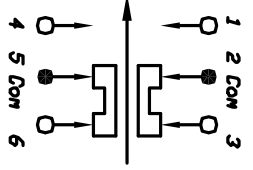


DETAIL-A- (SCALE 6:1)

CIRCUIT, DPDT



(ACTUATOR DETAIL) SCALE 4:1

NOTES:

1. ALL DIMENSIONS IN MM (IN)
2. TERM. NOS. FOR REF ONLY
3. RATING: DC 30V, 0.3A
4. OPERATING FORCE: 300±150gf
5. TRAVEL: FULL 3.5mm

REV.		DESCRIPTION	DATE	CHKD	TOLERANCES		TITLE	SCALE	DATE	DR	DWG	REV
A		RELEASED FOR PRODUCTION			0.0	±0.4	LC 2256 DA N S (NON-SHORTING)	2:1	3/21/97	MM	P070192	A
<p>THE INFORMATION CONTAINED IN THIS DOCUMENT IS PROPRIETARY TO E-SWITCH AND IS NOT TO BE COPIED OR TRANSMITTED</p>												

E-SWITCH®

Mouser Electronics

Authorized Distributor

Click to View Pricing, Inventory, Delivery & Lifecycle Information:

[E-Switch:](#)

[LC2256OANS](#)