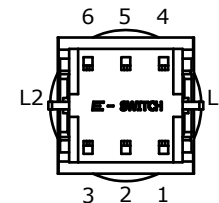
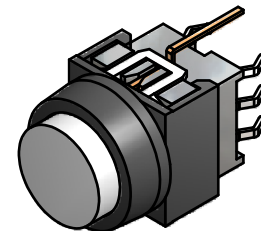
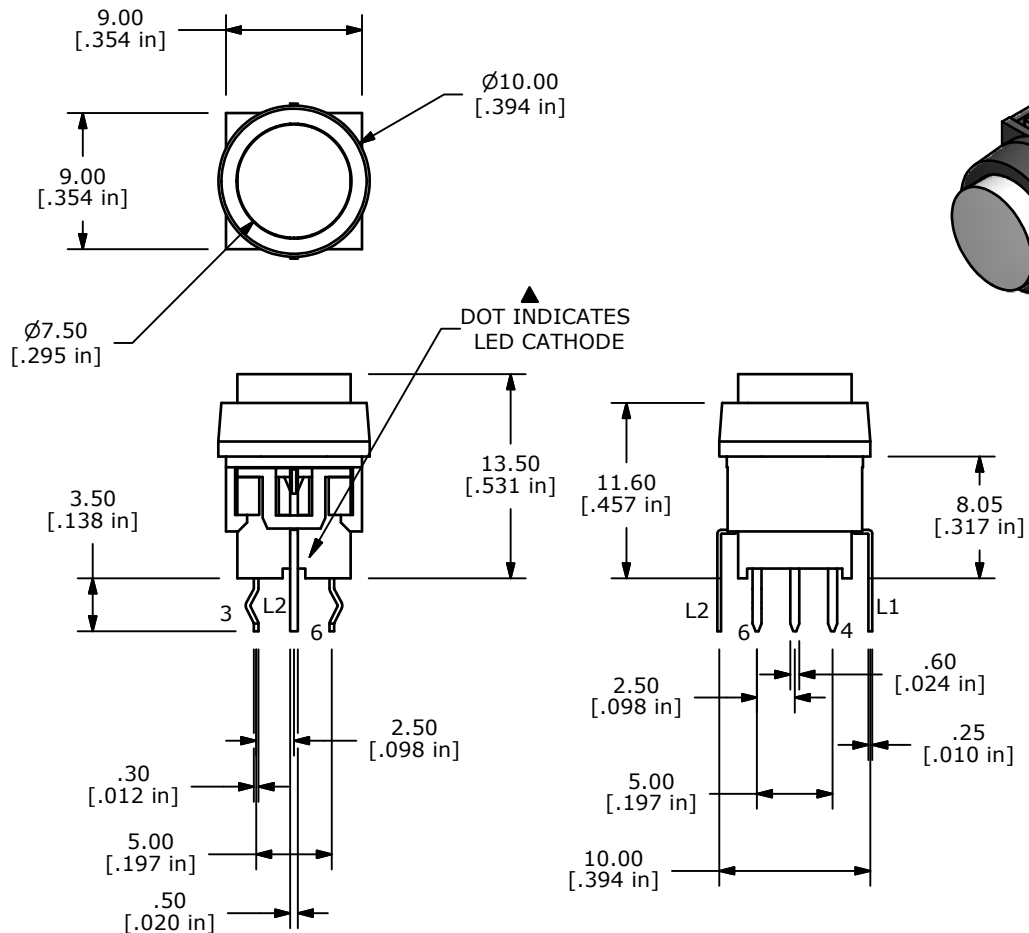


- NOTES:**
1. ALL DIMENSIONS IN MM [INCH]
 2. GENERAL TOLERANCE: X.X=±0.4
X.XX=±0.25
 3. TERMINAL NUMBERS FOR REF ONLY
 4. CONTACT RATING: CURRENT: 100mA
VOLTAGE: 30 VDC
 5. OPERATING LIFE: 50,000 MAKE-AND-BREAK CYCLES
 6. INSULATION RESISTANCE: 500VDC, 100MΩ. MIN.
 7. OPERATING FORCE: 250gf ± 100 GRAMS
 8. OPERATING TEMP.: -20°C to 70°C
 9. TRAVEL: LATCHING
1.50 ± 0.3mm FULL TRAVEL
 10. CONTACT RESISTANCE: 50 mΩ. MAX.
 11. ▲ DENOTES CRITICAL PARAMETER.
 12. 2002/95/EC (ROHS) COMPLIANT
 13. LED COLOR: GREEN



LED SPECS	UNITS	GREEN
FORWARD CURRENT	mA	20
FORWARD VOLTAGE @20mA	V	2.1-2.5
LUMINOUS INTENSITY @ 10mA	MCD	45



B	20380	CORRECT NOTE: 9 WAS MOMENTARY	1/4/12	BGL
A	20208	RELEASE FOR PRODUCTION	10/17/11	BGL
REV	PCR NO	DESCRIPTION	DATE	BY

TITLE LP4EE1PB BTG				
SCALE 2 : 1	DATE 10/17/2011	DR BGL	DWG B240042	REV B

Mouser Electronics

Authorized Distributor

Click to View Pricing, Inventory, Delivery & Lifecycle Information:

[E-Switch:](#)

[LP4EE1PBBTG](#)