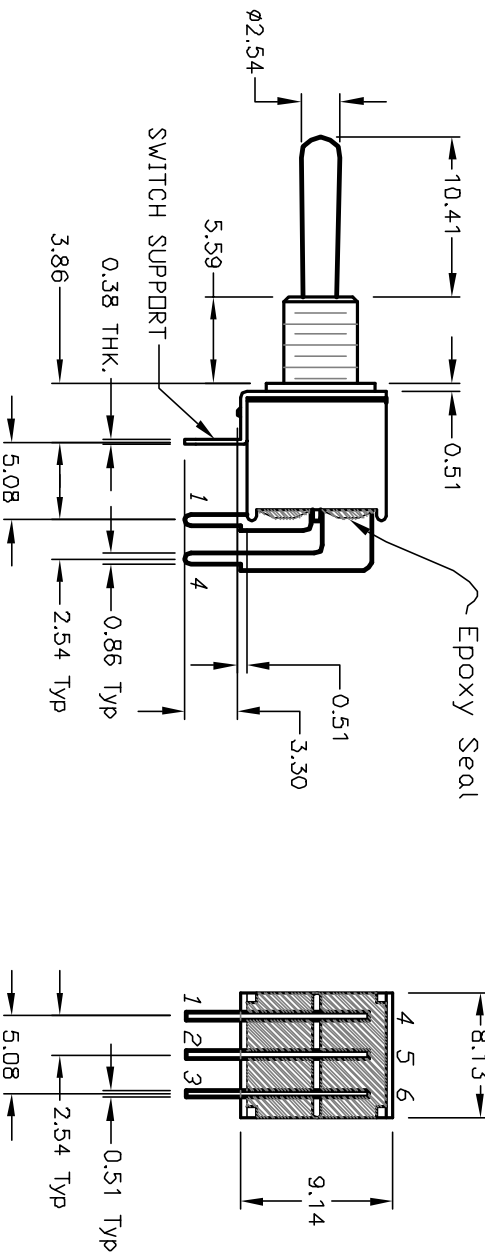
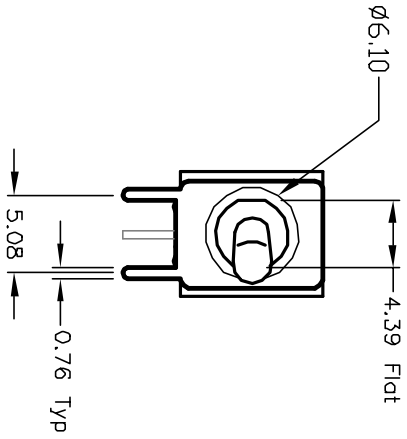
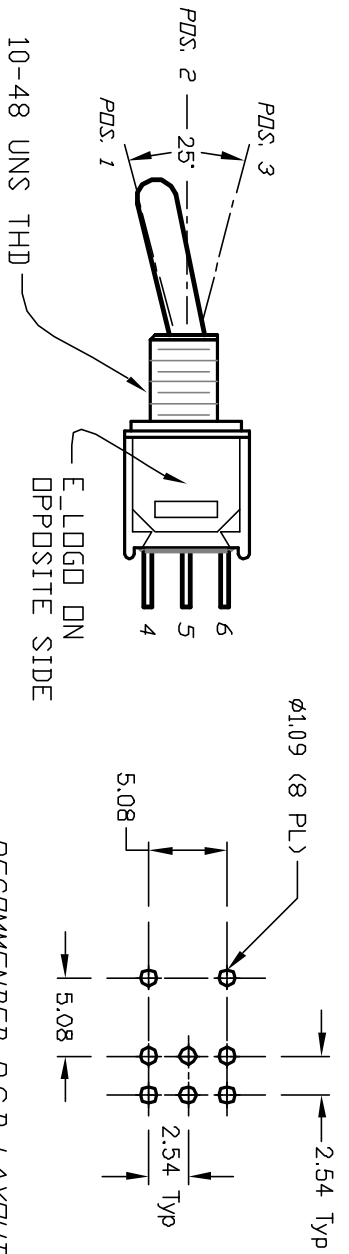


SWITCH FUNCTION		
POS. 1	POS. 2	POS. 3
ON	NONE	ON
2-3,5-6	DPEN	2-1,5-4



- NOTES:
1. ALL DIMENSIONS IN MM
 2. GENERAL TOLERANCE: X.X=±0.4
X.XX=±0.25
 3. TERM. NOS. FOR REF. ONLY
 4. RATING: 3A @120VAC OR 28VDC
1A @250VAC
 5. FIXED TERMINAL/MOVING CONTACT:
COPPER ALLOY W/SILVER PLATE.
 6. ELECTRIC LIFE: 30,000 make-and-break cycles
at full load.
 7. INSULATION RESISTANCE: 1,000 M ohm min.
 8. DIELECTRIC STRENGTH: 1,000 V RMS @sea level.
 9. OPERATING TEMP. -30°C to +85°C

REV.	ECN No.	DESCRIPTION	DATE	CHKD
A	12254	RELEASED FOR PRODUCTION	6/21/02	CJB

TITLE	SCALE	DATE	DR	DWG	REV
200 MDP-1 T4 B1 M6 Q E	2:1	6/21/02	CJB	T221039	A

E-SWITCH®

THE INFORMATION CONTAINED IN THIS DOCUMENT IS PROPRIETARY TO E-SWITCH AND IS NOT TO BE COPIED OR TRANSMITTED

Mouser Electronics

Authorized Distributor

Click to View Pricing, Inventory, Delivery & Lifecycle Information:

[E-Switch:](#)

[200MDP1T4B1M6QE](#)