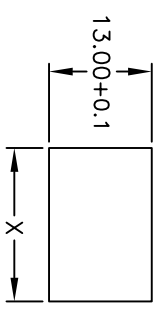
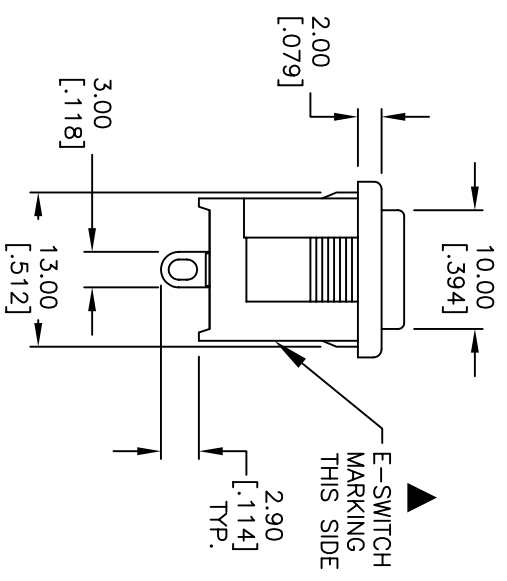
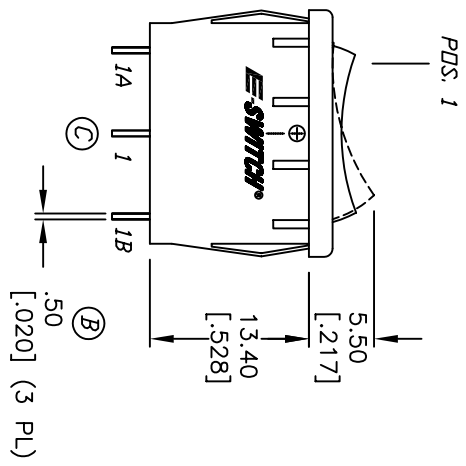


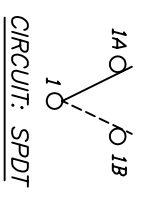
PANEL THICKNESS	X dimension
0.75-1.25 [0.030-0.049]	19.2-01 [0.756]
1.25-2.0 [0.049-0.079]	19.4-01 [0.764]
2.0-3.0 [0.079-0.118]	19.8-01 [0.780]



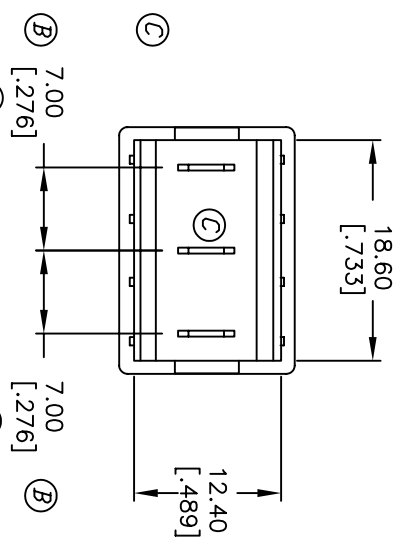
PANEL CUTOUT  
NOT TO SCALE



SWITCH FUNCTION		
POS. 1	POS. 2	POS. 3
DN	OFF	<DN>
1-1B	OPEN	1-1A



CIRCUIT: SPDT



- NOTES:
1. ALL DIMENSIONS IN MM [INCH]
  2. GENERAL TOLERANCE: X.X=±0.4 X.XX=±0.25
  3. TERMINAL NUMBERS FOR REF ONLY
  4. RATING: 15A @ 125VAC OR 8A @ 250VAC
  5. APPROVALS: UL, CSA, NEMKO, SEMKO, FEMKO, DEMKO
  6. MATERIALS: TERMINALS: Silver Plated Copper Alloy CONTACTS: Coin Silver, Silver Plated
  7. ELECTRIC LIFE: 10,000 cycles
  8. CONTACT RESISTANCE: <20 mΩ-Ohms
  9. INSULATION RESISTANCE: >1000 Mega-ΩHM
  10. DIELECTRIC STRENGTH: >1500 VAC 1 minute

**E-SWITCH®**

REV.	ECN No.	DESCRIPTION	DATE	CHKD
C	15301	REVISED DIMS/SWITCH FUNCT.	9/20/05	PH
B	12297	REVISED DIMENSION/NOTES	7/9/02	CJB
A	12118	RELEASED FOR PRODUCTION	5/3/02	CJB

SCALE	DATE	DR	DWG	REV
1.5:1	4/16/02	CB	M301229	C

THE INFORMATION CONTAINED IN THIS DOCUMENT IS PROPRIETARY TO E-SWITCH AND IS NOT TO BE COPIED OR TRANSMITTED

R1966H BLK BLK ES

# Mouser Electronics

Authorized Distributor

Click to View Pricing, Inventory, Delivery & Lifecycle Information:

[E-Switch:](#)

[R1966HBLKBLKES](#)