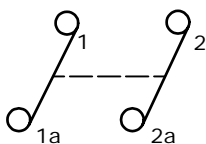


RECOMMENDED PANEL MOUNTING

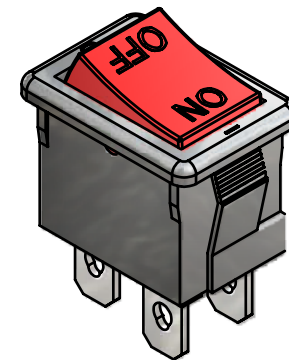
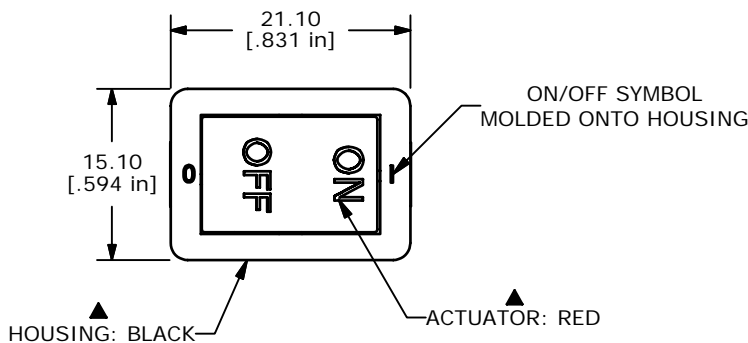
PANEL THICKNESS	X
0.75-1.25	19.2-19.3
1.25-2.00	19.3-19.4
2.00-3.00	19.5-19.6



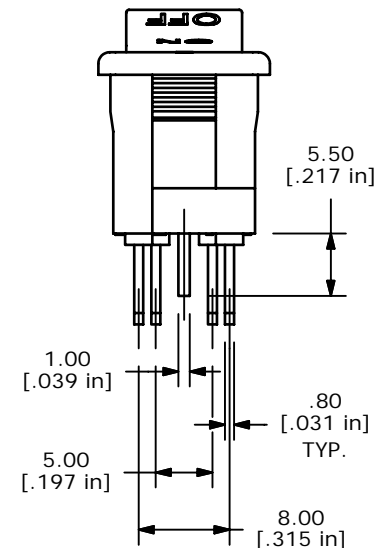
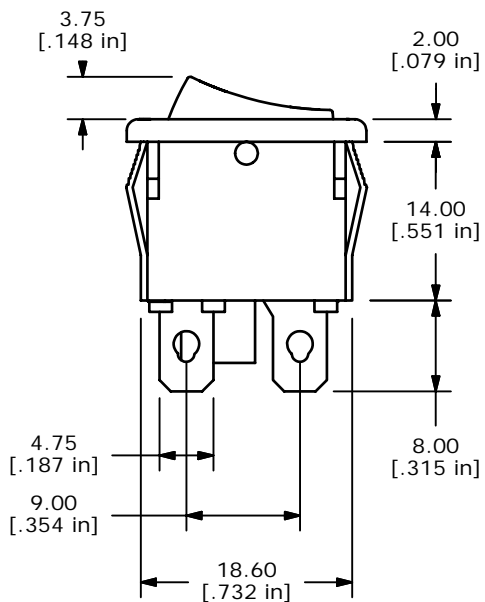
CIRCUIT: DPST

NOTES:

1. ALL DIMENSIONS IN MM [INCH]
2. GENERAL TOLERANCE: X.X=±0.4
X.XX=±0.25
- ▲3. RATING:
6A @250VAC; 9A @125VAC (UL, CSA, VDE)
4. MATERIAL:
CONTACT SURFACE: COIN SILVER, SILVER PLATE
TERMINAL: COPPER ALLOY W/SILVER PLATE.
5. CONTACT RESISTANCE: 20 MILLI-OHMS TYP. INITIAL
6. INSULATION RESISTANCE: 1000 MEGA-OHMS
7. DIELECTRIC STRENGTH:
>1500V RMS min. @SEA LEVEL
8. MECHANICAL LIFE: 30,000 CYCLES.
9. ELECTRICAL LIFE: 10,000 CYCLES
10. ▲ DENOTES CRITICAL PARAMETER.
11. 2002/95/EC (ROHS) COMPLIANT
12. PACKAGE: BULK



ISOMETRIC



E-SWITCH®

TITLE R1973BBLKREDIF0

REV	PCR NO	DESCRIPTION	DATE	BY
B	16688	REMOVED NOTE 4, PACKAGE ADDED	11/22/06	TN
A	16680	RELEASE FOR PRODUCTION	11/21/06	TN

SCALE	DATE	DR	DWG	REV
1.5:1	11/22/2006	TN	M400093	B

THE INFORMATION CONTAINED IN THIS DOCUMENT IS PROPRIETARY TO E-SWITCH AND IS NOT TO BE COPIED OR TRANSFERRED

Mouser Electronics

Authorized Distributor

Click to View Pricing, Inventory, Delivery & Lifecycle Information:

[E-Switch:](#)

[R1973BBLKREDIF0](#)