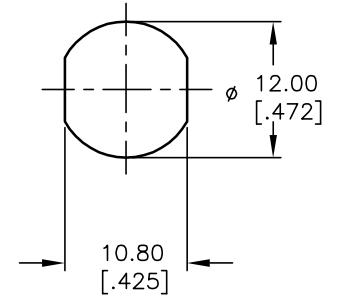


CIRCUIT: SPST
CONTACT CONFIGURATION

SWITCH FUNCTION	
POS 1	POS 2
↑	→
OFF	(ON)

LEGEND

- = OFF POSITION
- = INDICATES KEY PULL
- X = INDICATES NO KEY PULL



RECOMMENDED PANEL CUTOUT

NOTES:

1. ALL DIMENSIONS IN MM
2. GENERAL TOLERANCE: X.X=±0.4
X.XX=±0.25
3. TERM. NOS. FOR REFERENCE ONLY.
4. RATING: 1A @125VAC, 0.5A @250VAC
5. CONTACT RESISTANCE: 10mILLI-OHMS
6. DIELECTRIC STRENGTH: 1000 VAC-1Minute
7. MATERIALS:
HOUSING: ZINC ALLOY DIE CAST
CYLINDER: ZINC ALLOY W/CHROME PLATING
TERMINAL AND CONTACTS: SILVER PLATED
KEYS (2) KEY CODE 755: ZINC ALLOY, CHROME PLATING

REV.	ECN No.	DESCRIPTION	DATE	CHKD
D	13563	OVERALL LENGTH & DESCRIPTION	10/30/03	AR
C	13056	DESC WAS K0133C-755	4/17/03	AR
B	12767	DESC WAS K0133E-755	1/27/03	CJB
A	11735	RELEASED FOR PRODUCTION	10/12/01	CJB

E-SWITCH®				
TITLE: K0133C-755				
SCALE: 1.5:1	DATE: 10/12/01	DR: CJB	DWG: K400111	REV: D

THE INFORMATION CONTAINED IN THIS DOCUMENT IS PROPRIETARY TO E-SWITCH AND IS NOT TO BE COPIED OR TRANSFERRED

Mouser Electronics

Authorized Distributor

Click to View Pricing, Inventory, Delivery & Lifecycle Information:

[E-Switch:](#)

[KO133C755](#)