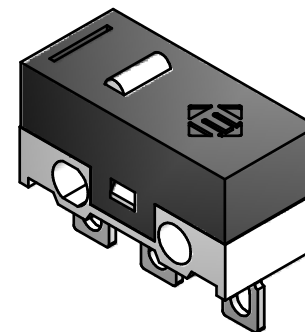
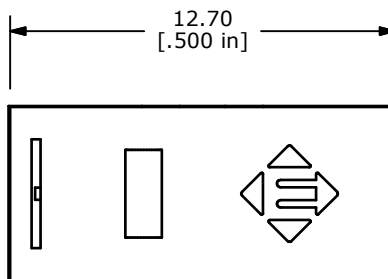


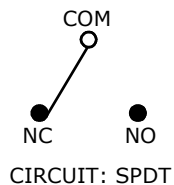
PANEL MOUNTING



ISOMETRIC
SCALE: 3:1

O.P. (MM)	P.T. (MM)
7.0 ±0.2	0.35

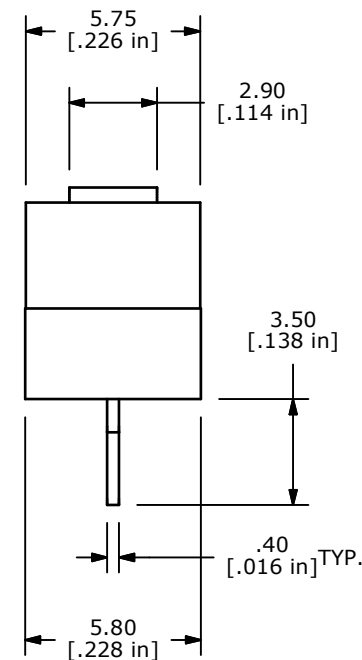
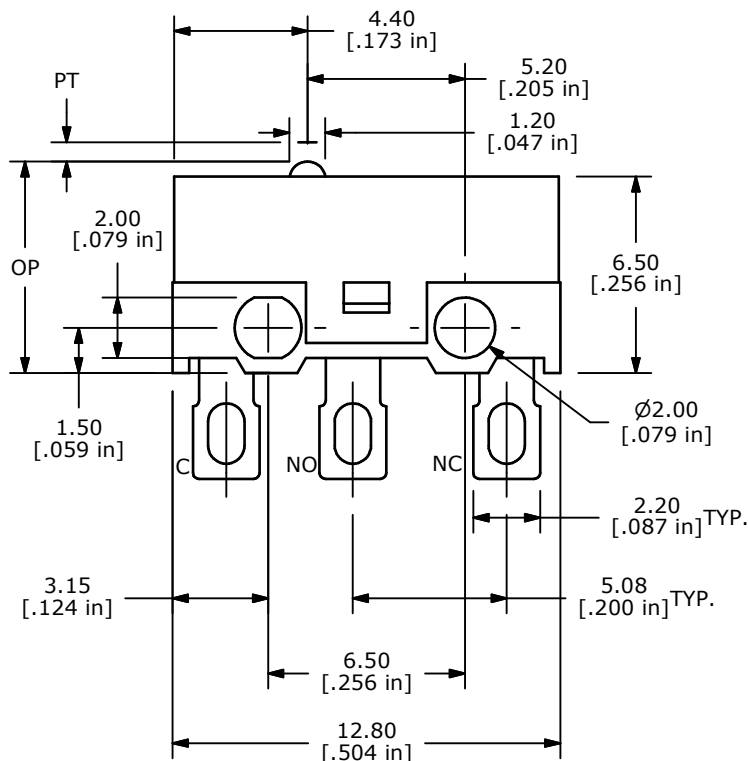
O.P. = OPERATING POINT
P.T. = PRE-TRAVEL



CIRCUIT: SPDT

NOTES:

- ALL DIMENSIONS IN MM [INCH]
- GENERAL TOLERANCE: X.X=±0.4
X.XX=±0.25
- ▲** 3. RATING: 3A @125VAC
1.5A @250VAC UL
- OPERATING FORCE: 70±20 GRAMS
- OPERATING TEMP: -25°C TO 75°C
- ELECTRICAL LIFE: 10,000 CYCLES MIN.
- INSULATION RESISTANCE: 100 MEGA-OHMS MIN.
- DIELECTRIC STRENGTH: 500VAC - 1 MINUTE
- ▲** DENOTES CRITICAL PARAMETER.
- 2002/95/EC (ROHS) COMPLIANT
- PACKAGED IN TRAYS, 200 PIECES PER TRAY



REV	PCR NO	DESCRIPTION	DATE	BY
D	18266	FIX DRAWING TITLE	10/2/08	BLR
C	18157	REMOVE CE APPROVED FROM NOTES	6/24/08	BLR
B	18089	ADD NOTE 11	5/9/08	RC



TITLE SS0750300F070S1A				
SCALE 4:1	DATE 10/2/2008	DR BLR	DWG Q971002	REV D

THE INFORMATION CONTAINED IN THIS DOCUMENT IS PROPRIETARY TO E-SWITCH AND IS NOT TO BE COPIED OR TRANSFERRED

Mouser Electronics

Authorized Distributor

Click to View Pricing, Inventory, Delivery & Lifecycle Information:

[E-Switch:](#)

[SS0750300F070S1A](#)