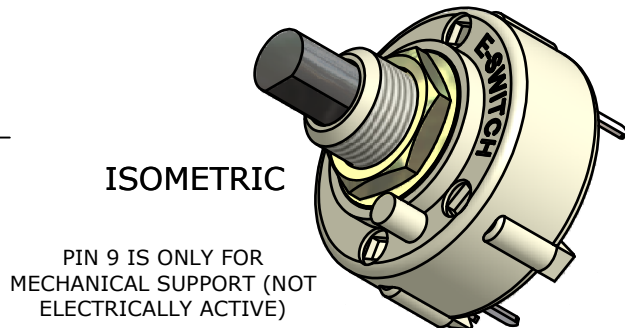
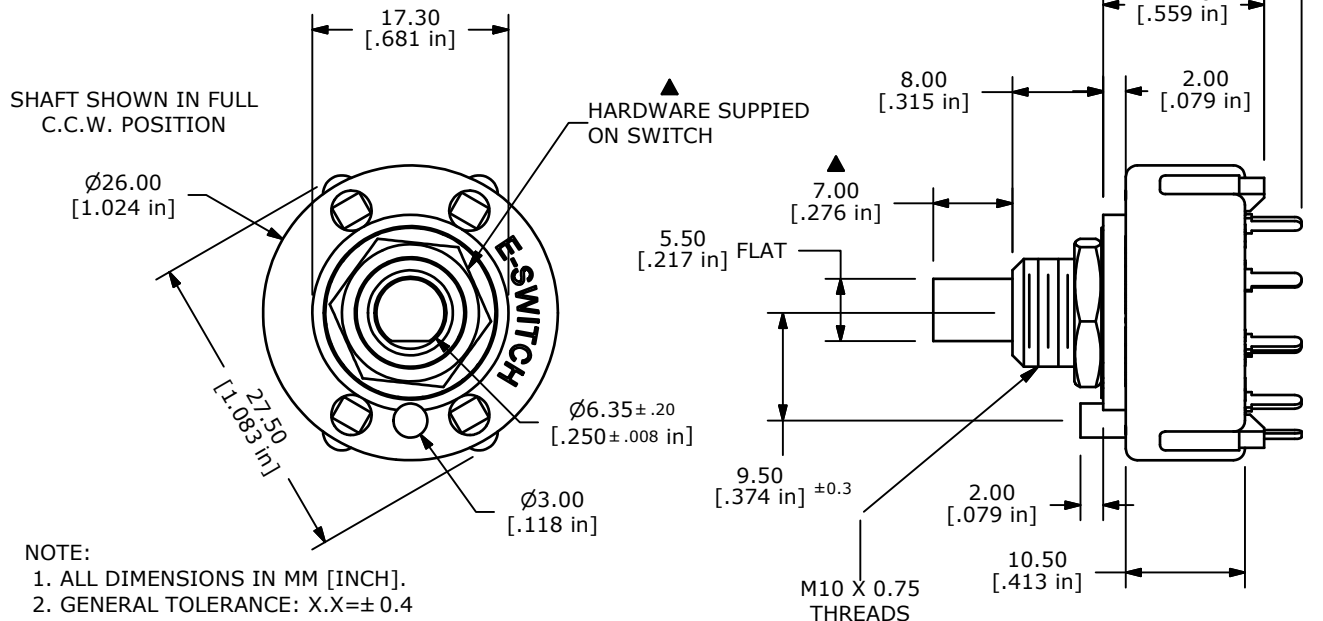
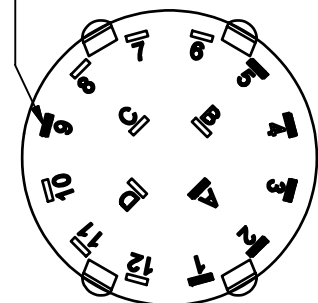


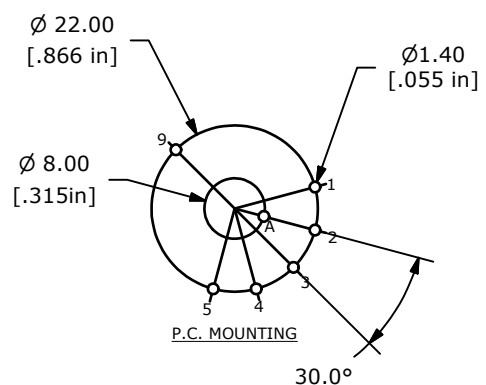
**CONTACT CONFIGURATION**  
TIMING (BBM) NON-SHORTING



PIN 9 IS ONLY FOR MECHANICAL SUPPORT (NOT ELECTRICALLY ACTIVE)



- NOTE:**
1. ALL DIMENSIONS IN MM [INCH].
  2. GENERAL TOLERANCE: X.X±0.4  
X.XX±0.25
  3. TERM. NOS. FOR REFERENCE ONLY.
  - ▲4. CONTACT MATERIAL: SILVER
  5. CONTACT RATING: 0.3A @ 125VAC
  6. CONTACT RATING: (NON-SWITCHING) 5A
  7. OPERATING FORCE 800± 300gm-cm
  8. OPERATING TEMP: -30°C TO 85°C
  - ▲9. CIRCUIT SP: 5 POSITION 30° INDEX.
  10. DIELECTRIC STRENGTH: 500VAC FOR 1 MIN.
  - ▲11. HARDWARE SUPPLIED ON SWITCH:  
(1) LOCKWASHER, (1) HEXNUT, AND (1) STOP RING.
  12. ▲ DENOTES CRITICAL PARAMETER.
  13. 2002/95/EC (ROHS) COMPLIANT



B	19363	UPDATED NOTES	10/19/10	BMA
A	18229	RELEASED FOR PRODUCTION	9/02/08	BLR
REV	PCR NO	DESCRIPTION	DATE	BY

THE INFORMATION CONTAINED IN THIS DOCUMENT IS PROPRIETARY TO E-SWITCH AND IS NOT TO BE COPIED OR TRANSFERRED

**TITLE** KC15A7.002NPS

<b>SCALE</b> 1.5:1	<b>DATE</b> 9/2/2008	<b>DR</b> BLR	<b>DWG</b> G527969	<b>REV</b> B
--------------------	----------------------	---------------	--------------------	--------------

# Mouser Electronics

Authorized Distributor

Click to View Pricing, Inventory, Delivery & Lifecycle Information:

[E-Switch:](#)

[KC15A7.002NPS](#)