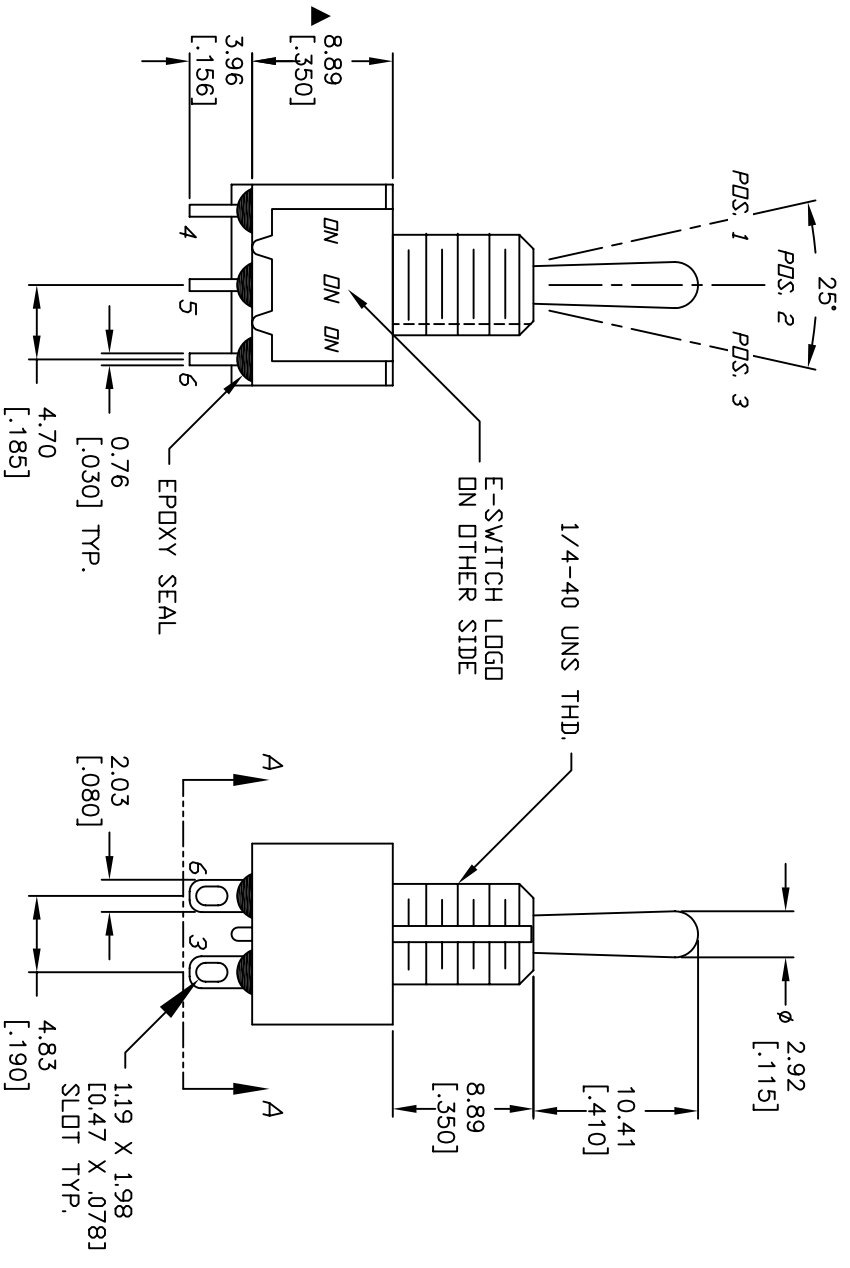
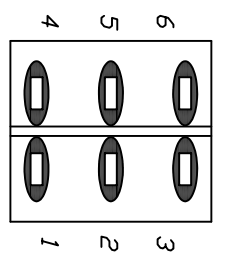
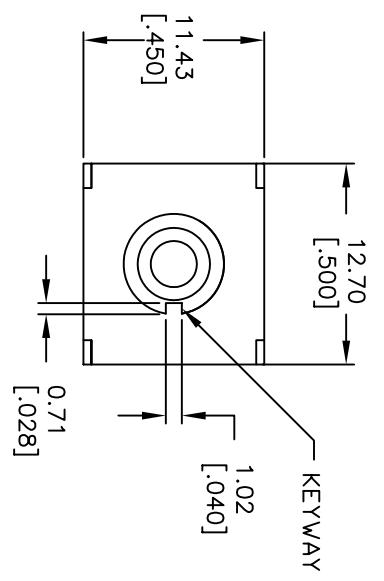


CIRCUIT: DPDT 3-WAY
 NOTE: JUMPER PIN 3 TO PIN 5

SWITCH FUNCTION			
POS. 1	POS. 2	POS. 3	
DN	DN	DN	
2-3,5-6	2-3,5-4	2-1,5-4	

NOTES:

1. ALL DIMENSIONS IN MM [INCH]
2. GENERAL TOLERANCE: X.X=±0.4
X.XX=±0.25
3. TERM. NOS. FOR REF. ONLY
4. RATING: 5A @120VAC OR 28VDC
2A @250VAC
5. MATERIALS: FIXED TERM. &MOVING CONTACT:
Cu Alloy w/Silver plate
6. ELECTRICAL LIFE: 40,000 make-and-break
cycles at full load.
7. INSULATION RESISTANCE: 1,000M ohm min.
8. DIELECTRIC STRENGTH: 1000V RMS @sea level
9. OPERATING TEMP.: -30°C to 85°C
10. ▲ DENOTES CRITICAL PARAMETER.
11. 2002/95/EC (ROHS) COMPLIANT
12. HARDWARE TO BE SUPPLIED BULK:
T100011-LOCK WASHER QTY-1
T100015-LOCK RING QTY-1
T100000-HEX NUT QTY-2



A	17050	RELEASED FOR PRODUCTION	3/1/07	TN
REV.	ECN No.	DESCRIPTION	DATE	CHKD

TITLE		SCALE	DATE	DR	DWG	REV
100DP6T1B1M1QE H		2:1	3/1/07	TN	ST126001	A



THE INFORMATION CONTAINED IN THIS DOCUMENT IS PROPRIETARY TO E-SWITCH AND IS NOT TO BE COPIED OR TRANSMITTED

Mouser Electronics

Authorized Distributor

Click to View Pricing, Inventory, Delivery & Lifecycle Information:

[E-Switch:](#)

[100DP6T1B1M1QEH](#)