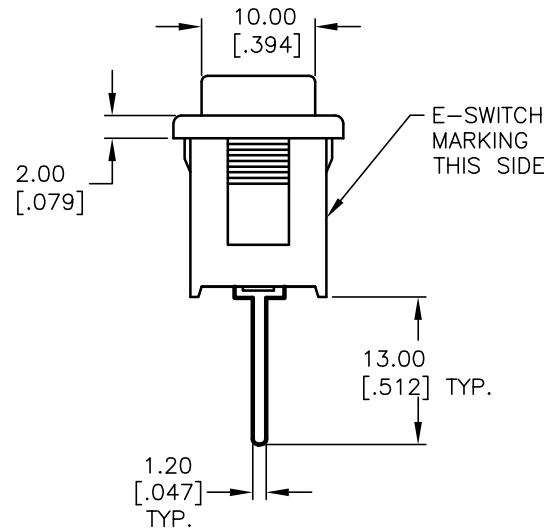
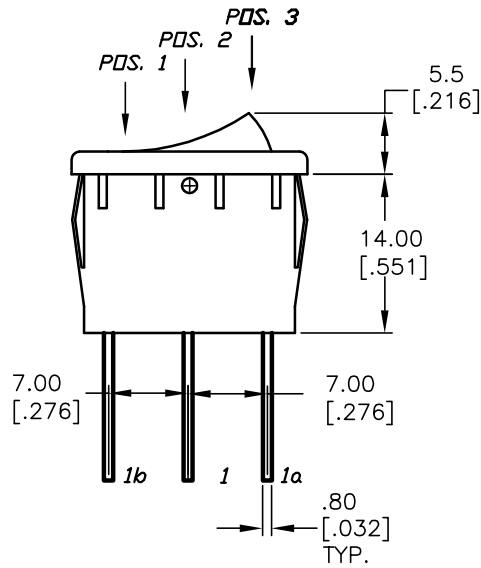
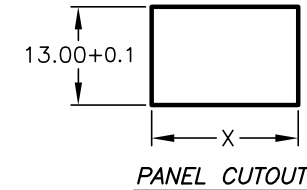
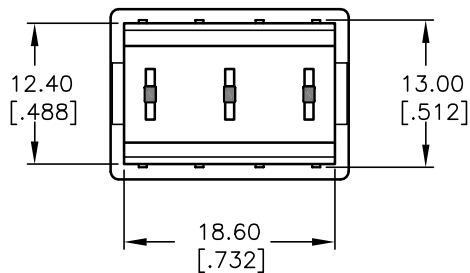
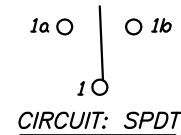


PANEL THICKNESS		X
0.75-1.25	[.030-.049]	19.2 [.756]
1.25-2.0	[.049-.079]	19.4 [.764]
2.0-3.0	[.079-.118]	19.8 [.780]



SWITCH FUNCTION		
POS. 1	POS. 2	POS. 3
ON	OFF	ON
1a-1	OPEN	1-1b



NOTES:

- ALL DIMENSIONS IN MM [INCH]
- GENERAL TOLERANCE: X.X=±0.4
X.XX=±0.25
- TERMINAL NUMBERS FOR REF ONLY.
- RATING: 15A @125VAC OR
6A @250VAC
- MECHANICAL LIFE: 15,000 cycles
- ELECTRICAL LIFE: 10,000 cycles
- INSULATION RESISTANCE: >1000 Mega Ω
- CONTACT RESISTANCE: <20 Mega Ω
- DIELECTRIC STRENGTH: >1500 V 1 minute
>3000 V between poles

E-SWITCH®

REV.	ECN No.	DESCRIPTION	DATE	CHKD
A	14224	RELEASED FOR PRODUCTION	8/11/04	AR

TITLE	R1966DBLKBLKBP			
-------	----------------	--	--	--

SCALE	DATE	DR	DWG	REV
1.5:1	8/11/04	AR	M309313	A

THE INFORMATION CONTAINED IN THIS DOCUMENT IS PROPRIETARY TO E-SWITCH AND IS NOT TO BE COPIED OR TRANSFERRED

Mouser Electronics

Authorized Distributor

Click to View Pricing, Inventory, Delivery & Lifecycle Information:

[E-Switch:](#)

[R1966DBLKBLKBP](#)