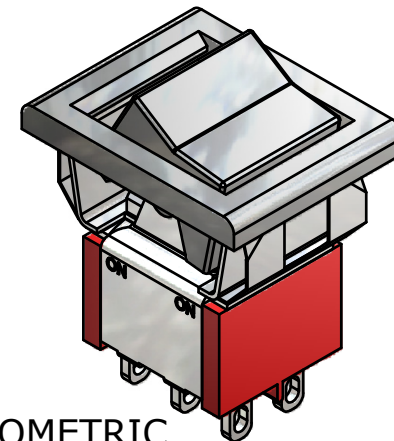
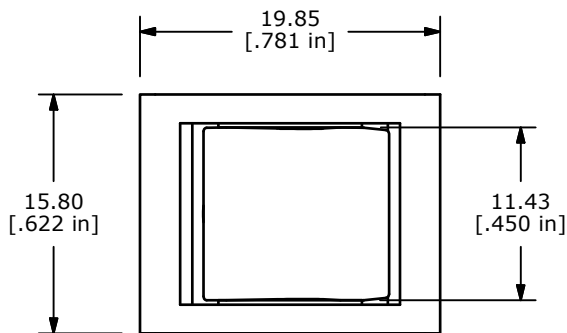


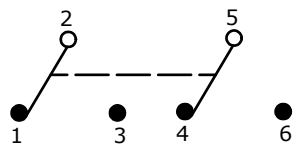
PANEL THICKNESS	(X) DIM.
1.19 - 1.52	15.70 - 15.75
1.52 - 3.18	15.75 - 15.88

PANEL MOUNTING

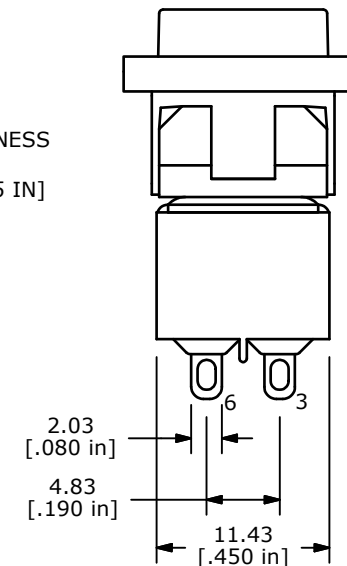
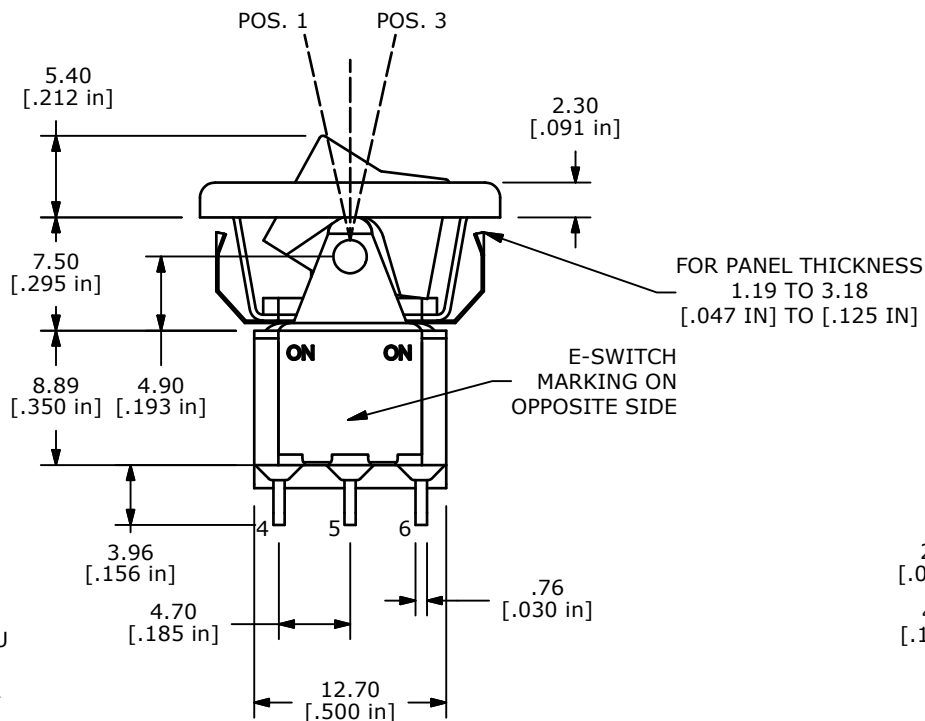


ISOMETRIC

▲ SWITCH FUNCTION		
POS. 1	POS. 2	POS. 3
ON	NONE	ON
2-3, 5-6	N/A	2-1, 5-4



CIRCUIT: DPDT



- NOTE:
- ALL DIMENSIONS IN MM [INCH].
 - GENERAL TOLERANCE: X.X=±0.4
X.XX=±0.25
 - TERMINAL NUMBERS FOR REF ONLY.
 - ▲ PLATING MATERIAL: SILVER
 - RATING: 2A @ 250VAC
5A @ 125VAC OR 28 VDC
 - ELECTRIC LIFE: 40,000 MAKE-AND-BREAK CYCLES AT FULL LOAD
 - CONTACT RESISTANCE: 10mΩ MAX INITIAL @ 2-4VDC, 100mA FOR AG & AU
 - INSULATION RESISTANCE: 1,000 MΩ MIN.
 - DIELECTRIC STRENGTH: 1,000 V RMS @SEA LEVEL
 - OPERATING TEMP.: -30°C to 85°C
 - 2002/95/EC (ROHS) COMPLIANT.
 - ▲ DENOTES CRITICAL PARAMETER.



TITLE 300DP1R6BLKM1QE BLK

C	20338	REVISED AND REDRAWN	12/13/11	BGL
REV	PCR NO	DESCRIPTION	DATE	BY

SCALE	DATE	DR	DWG	REV
2:1	12/13/2011	BGL	T321030	C

THE INFORMATION CONTAINED IN THIS DOCUMENT IS PROPRIETARY TO E-SWITCH AND IS NOT TO BE COPIED OR TRANSFERRED

Mouser Electronics

Authorized Distributor

Click to View Pricing, Inventory, Delivery & Lifecycle Information:

[E-Switch:](#)

[300DP1R6BLKM1QEBLK](#)