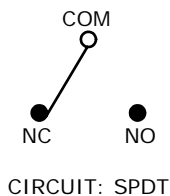
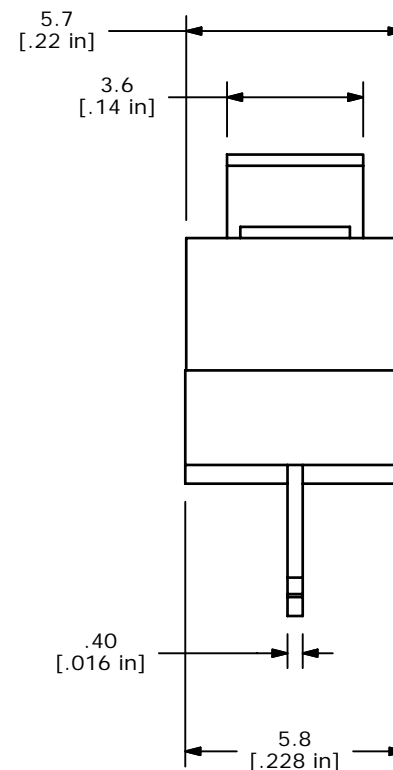
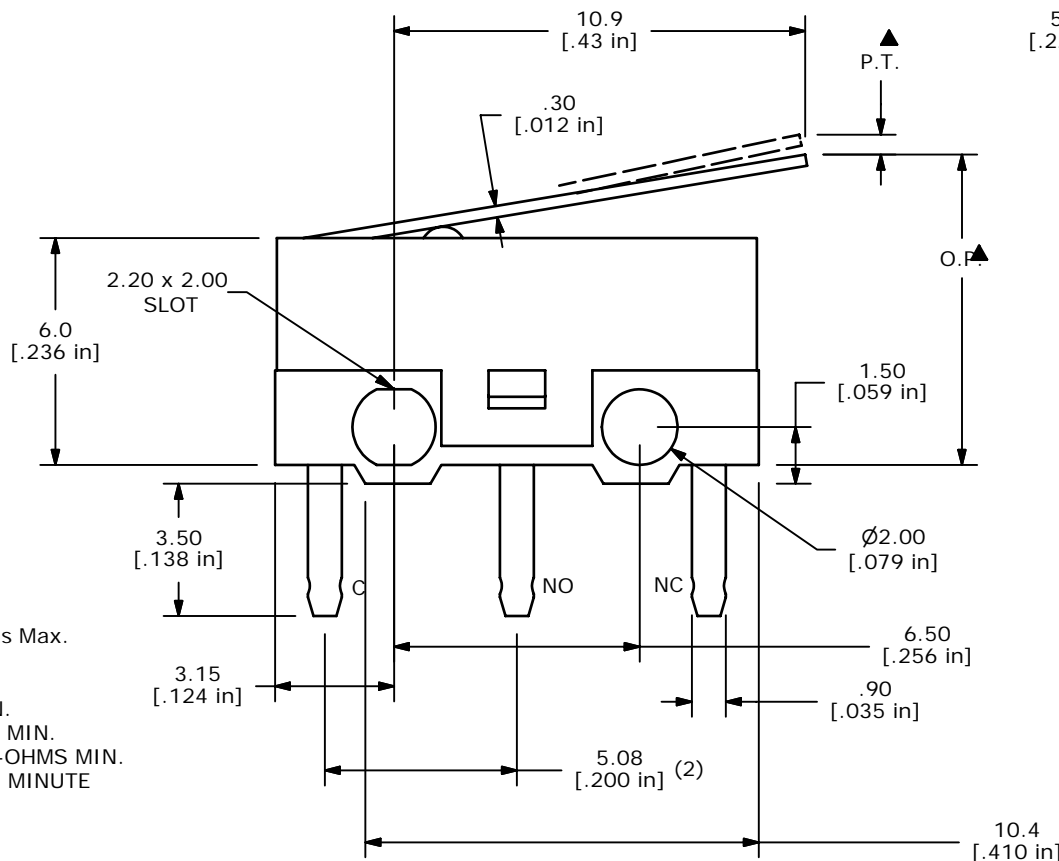


ISOMETRIC  
SCALE: 3:1



O.P. (MM)	P.T. (MM)
8.8 ±0.8	1.60 MAX.

O.P. = OPERATING POINT  
P.T. = PRE-TRAVEL



NOTES:

1. ALL DIMENSIONS IN MM [INCH]
2. GENERAL TOLERANCE: X.X=±0.4  
X.XX=±0.25
- ▲3. RATING: 0.1A @125VAC UL
4. CONTACT RESISTANCE: 100 Milli-Ohms Max.
- ▲5. OPERATING FORCE: 30 ± 15 GRAMS
6. OPERATING TEMP: -25°C TO 75°C
7. ELECTRICAL LIFE: 10,000 CYCLES MIN.
8. MECHANICAL LIFE: 1,000,000 CYCLES MIN.
9. INSULATION RESISTANCE: 100 MEGA-OHMS MIN.
10. DIELECTRIC STRENGTH: 1,500VAC - 1 MINUTE
11. ▲DENOTES CRITICAL PARAMETER.
12. 2002/95/EC (ROHS) COMPLIANT.



TITLE SS075Q101F030P1A

A	18237	RELEASE FOR PRODUCTION	9/8/08	BLR
REV	PCR NO	DESCRIPTION	DATE	BY

SCALE	DATE	DR	DWG	REV
5:1	9/8/2008	BLR	Q971021	A

THE INFORMATION CONTAINED IN THIS DOCUMENT IS PROPRIETARY TO E-SWITCH AND IS NOT TO BE COPIED OR TRANSFERRED

# Mouser Electronics

Authorized Distributor

Click to View Pricing, Inventory, Delivery & Lifecycle Information:

[E-Switch:](#)

[SS075Q101F030P1A](#)