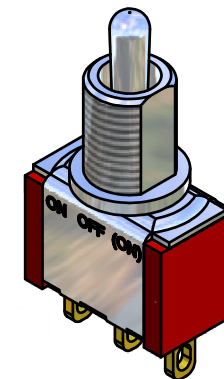
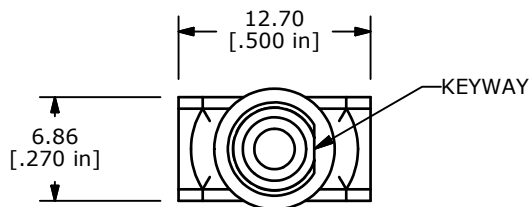


WITHOUT LOCKING RING WITH STANDARD LOCKING RING

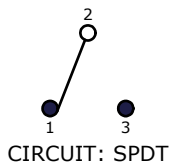
PANEL MOUNTING



ISOMETRIC

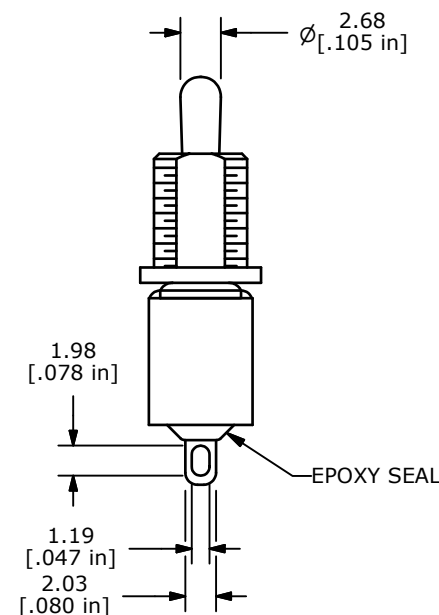
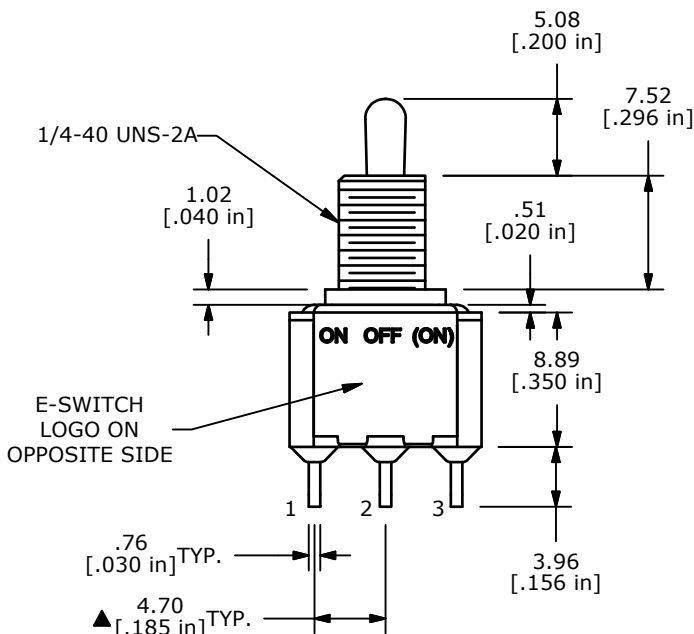
| SWITCH FUNCTION | | |
|-----------------|--------|--------|
| POS. 1 | POS. 2 | POS. 3 |
| | | |
| ON | OFF | (ON) |
| 2-3 | OPEN | 2-1 |

(ON)=MOMENTARY



NOTE:

- ALL DIMENSIONS IN MM [INCH]
- GENERAL TOLERANCE: X.X=±0.4
X.XX=±0.25
- TERMINAL NUMBERS FOR REF ONLY
- PLATING MATERIAL: SILVER
- ▲ RATING: 2A @250VAC
5A @120VAC OR 28VDC
- ELECTRIC LIFE: 40,000 MAKE-AND-BREAK CYCLES AT FULL LOAD.
- INSULATION RESISTANCE: 1,000 MΩ MIN.
- DIELECTRIC STRENGTH: 1,000 V RMS @SEA LEVEL.
- OPERATING TEMP.: -30°C to 85°C
- ▲ DENOTES CRITICAL PARAMETER.
- 2002/95/EC (ROHS) COMPLIANT



| | | | | |
|----------------------|---------------|--------|-------------|-------|
| | | | | |
| TITLE 100SP5T2B5M1QE | | | | |
| SCALE 2:1 | DATE 2/8/2011 | DR BMA | DWG T115032 | REV B |

| | | | | |
|-----|--------|----------------|----------|-----|
| B | 19705 | CORRECT RATING | 02/23/11 | BMA |
| A | 19644 | NEW RELEASE | 02/08/11 | BMA |
| REV | PCR NO | DESCRIPTION | DATE | BY |

THE INFORMATION CONTAINED IN THIS DOCUMENT IS PROPRIETARY TO E-SWITCH AND IS NOT TO BE COPIED OR TRANSFERRED

Mouser Electronics

Authorized Distributor

Click to View Pricing, Inventory, Delivery & Lifecycle Information:

[E-Switch:](#)

[100SP5T2B5M1QE](#)