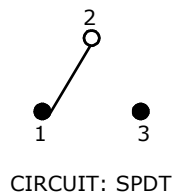
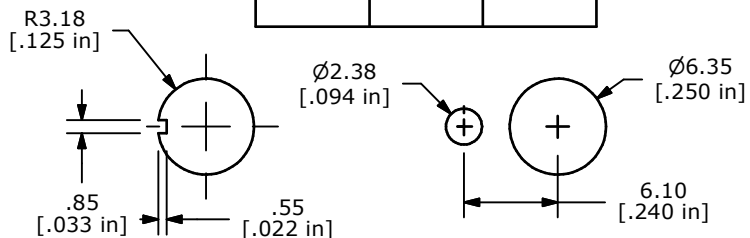


ISOMETRIC



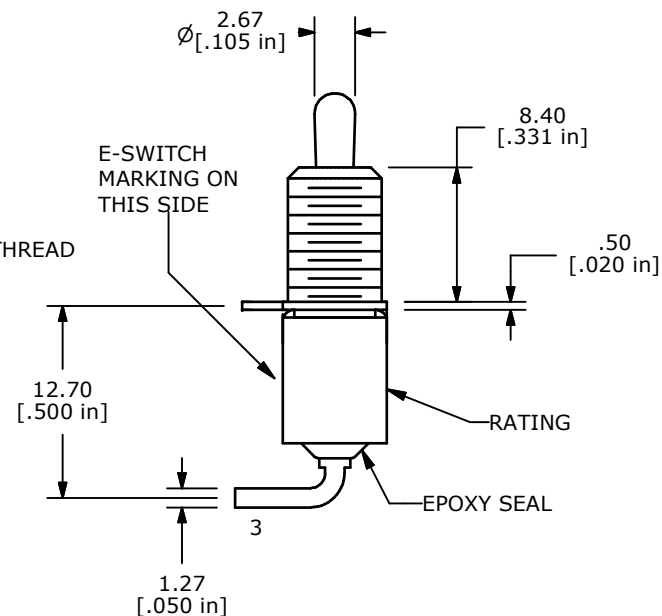
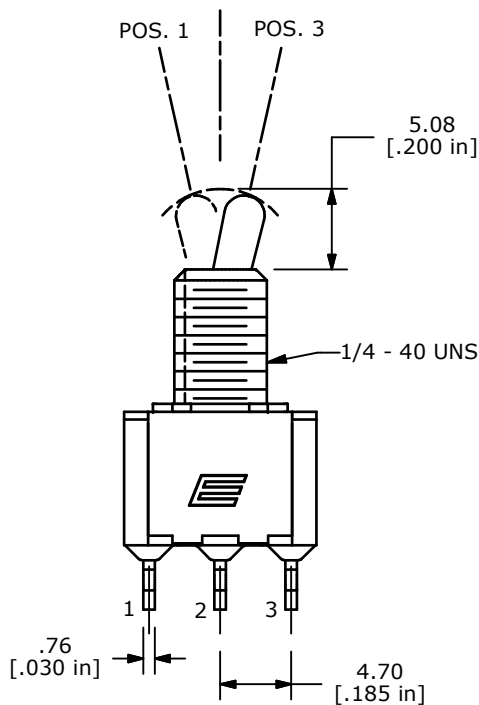
SWITCH FUNCTION		
POS. 1	POS. 2	POS. 3
ON	NONE	ON
2-3	N/A	2-1



PANEL MOUNTING

NOTE:

1. ALL DIMENSIONS IN MM [INCH]
2. GENERAL TOLERANCE: X.X=±0.4  
X.XX=±0.25
3. TERMINAL NUMBERS FOR REF ONLY
- ▲4. PLATING MATERIAL: SILVER
5. RATING: 5A @ 120VAC (or 28VDC)  
2A @ 250VAC
6. MECHANICAL LIFE: 40,000 MAKE-AND-BREAK CYCLES AT FULL LOAD.
7. CONTACT RESISTANCE: 10 MILLI-OHMS MAX.
7. INSULATION RESISTANCE: 1,000 MEGA-OHM MIN.
8. DIELECTRIC STRENGTH: 1,000 V RMS @SEA LEVEL.
9. OPERATING TEMP.: -30°C to 85°C
10. ▲ DENOTES CRITICAL PARAMETER.
11. 2002/95/EC (ROHS) COMPLIANT.



A	18535	RELEASED FOR PRODUCTION	5/29/09	BLR
REV	PCR NO	DESCRIPTION	DATE	BY

TITLE 100SP1T2B1M6QE				
SCALE	DATE	DR	DWG	REV
2:1	5/29/2009	BLR	T111055	A

THE INFORMATION CONTAINED IN THIS DOCUMENT IS PROPRIETARY TO E-SWITCH AND IS NOT TO BE COPIED OR TRANSFERRED

# Mouser Electronics

Authorized Distributor

Click to View Pricing, Inventory, Delivery & Lifecycle Information:

[E-Switch:](#)

[100SP1T2B1M6QE](#)