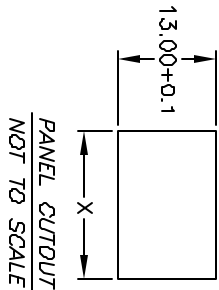
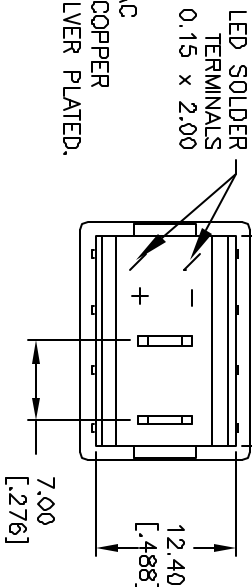
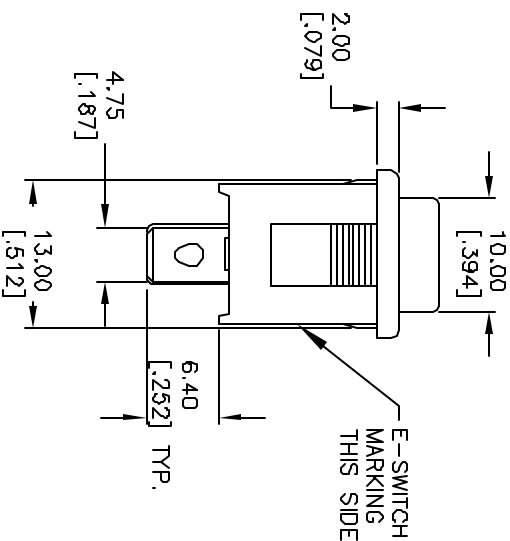
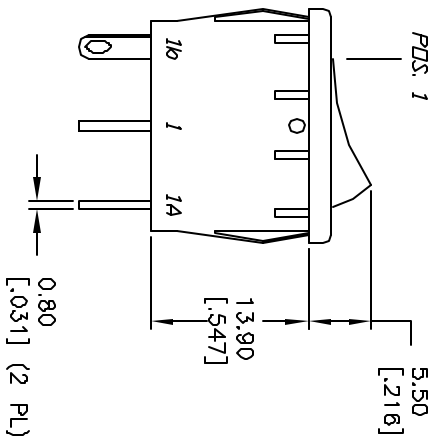
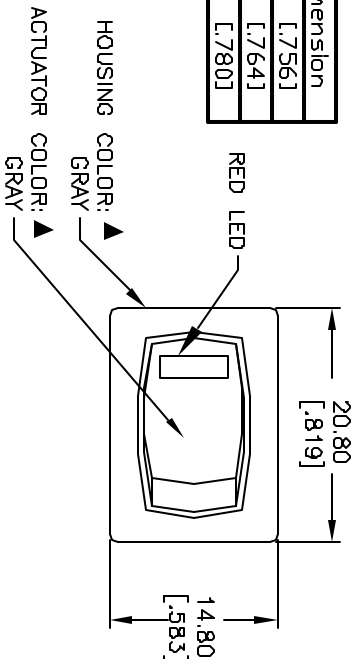
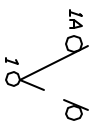


PANEL THICKNESS	X dimension
0.75-1.25 [.030-.049]	19.2-.01 [.756]
1.25-2.0 [.049-.079]	19.4-.01 [.764]
2.0-3.0 [.079-.118]	19.8-.01 [.780]



SWITCH FUNCTION	
POS. 1	POS. 2
DN	OFF
1-1a	OPEN



- NOTES:
1. ALL DIMENSIONS IN MM [INCH]
  2. GENERAL TOLERANCE: X.X=±0.4  
X.XX=±0.25
  3. TERMINAL NUMBERS FOR REF ONLY
  4. RATINGS: 15A @ 125VAC OR 6A @ 250VAC
  5. MATERIALS: (TERMINALS) SILVER PLATED COPPER (CONTACTS) COIN SILVER, SILVER PLATED.
  6. CONTACT RESISTANCE: <20 MEGA
  7. ELECTRIC LIFE: 10,000 CYCLES
  8. INSULATION RESISTANCE: >1000 MEGA
  9. DIELECTRIC STRENGTH: >1500V 1 MINUTE  
>3000V BETWEEN POLES
  10. ▲ DENOTES CRITICAL PARAMETER.

RED L.E.D.

PARAMETERS	SYMBOL	MAX.	TYP.	UNITS
POWER DISSIPATION	P <sub>d</sub>	80		mW
AVE FORWARD CURRENT	I <sub>af</sub>	--		mA
PEAK FORWARD CURRENT	I <sub>pf</sub>	100		mA
REVERSE VOLTAGE	V <sub>r</sub>	5		V
FORWARD VOLTAGE	V <sub>f</sub>	2.6	1.7	V
REVERSE CURRENT	I <sub>r</sub>		100	µA
EMISSION WAVELENGTH	λ <sub>p</sub>		660	nm
LUMINOUS INTENSITY	I <sub>v</sub>		30	mcd

A	13284	RELEASED FOR PRODUCTION	7/11/03	AR
REV.	ECN No.	DESCRIPTION	DATE	CHKD

TITLE		SCALE	DATE	DR	DWG	REV
R1966AGRYGREFRED		1.5:1	7/11/03	AR	M301234	A

**E-SWITCH®**

THE INFORMATION CONTAINED IN THIS DOCUMENT IS PROPRIETARY TO E-SWITCH AND IS NOT TO BE COPIED OR TRANSFERRED

# Mouser Electronics

Authorized Distributor

Click to View Pricing, Inventory, Delivery & Lifecycle Information:

[E-Switch:](#)

[R1966AGRYGRYEFRED](#)