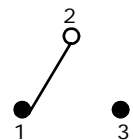
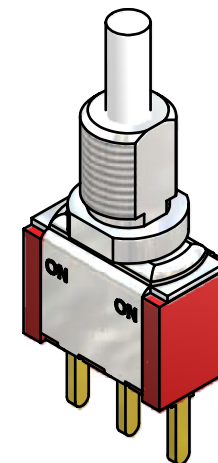
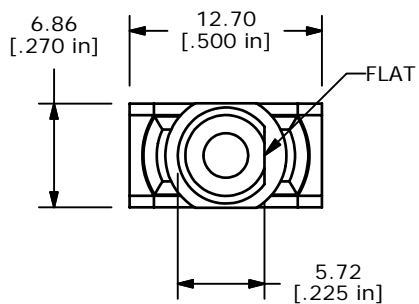


P.C. MOUNTING

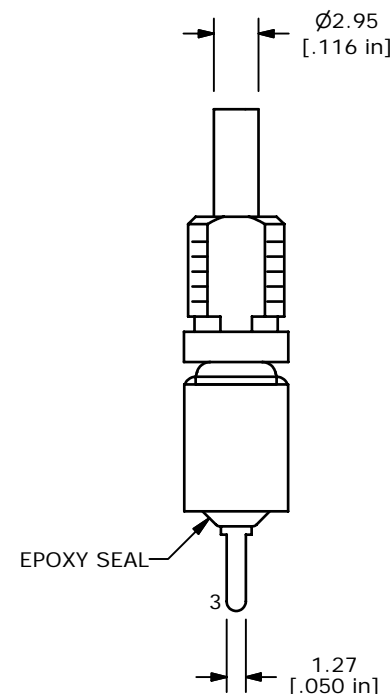
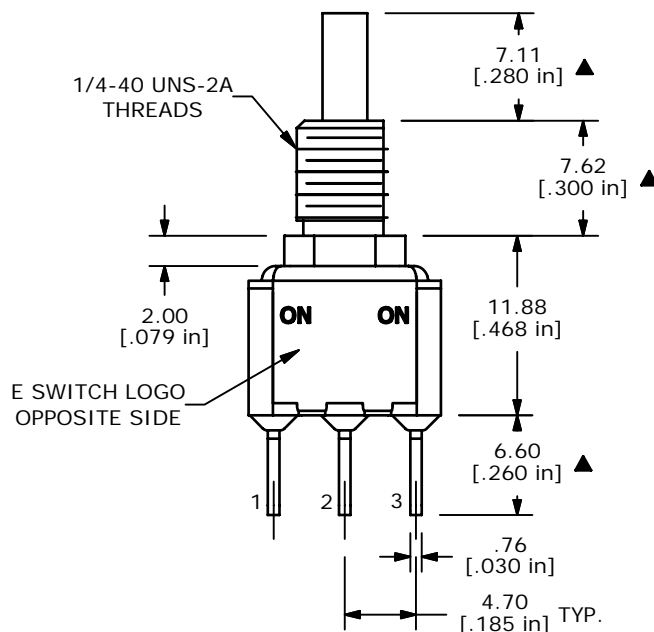
SWITCH FUNCTION	
POS. 1	POS. 2
ON	ON
1-2	2-3



CIRCUIT: SPDT



ISOMETRIC



NOTE:

1. ALL DIMENSIONS IN MM [INCH]
2. GENERAL TOLERANCE: X.X=±0.4
X.XX=±0.25
3. TERMINAL NUMBERS FOR REF ONLY
- ▲4. PLATING MATERIAL: SILVER
5. RATING: 1A @ 250VAC
3A @ 120VAC OR 28VDC
6. ELECTRIC LIFE: 50,000 MAKE-AND-BREAK CYCLES AT FULL LOAD.
7. INSULATION RESISTANCE: 1,000 MEGA-OHM MIN.
8. DIELECTRIC STRENGTH: 1,000 V RMS @SEA LEVEL.
9. OPERATING TEMP.: -30°C to 85°C
10. ▲ DENOTES CRITICAL PARAMETER.
11. 2002/95/EC (ROHS) COMPLIANT

E-SWITCH®

B	17052	TERM. FROM 6.35 TO 6.6	3/2/07	TN
A	16943	RELEASED FOR PRODUCTION	1/31/07	TN
REV	PCR NO	DESCRIPTION	DATE	BY

TITLE 700CSP7B61M2QE				
SCALE	DATE	DR	DWG	REV
2:1	3/2/2007	TN	T711074	B

THE INFORMATION CONTAINED IN THIS DOCUMENT IS PROPRIETARY TO E-SWITCH AND IS NOT TO BE COPIED OR TRANSFERRED

Mouser Electronics

Authorized Distributor

Click to View Pricing, Inventory, Delivery & Lifecycle Information:

[E-Switch:](#)

[700CSP7B61M2QE](#)