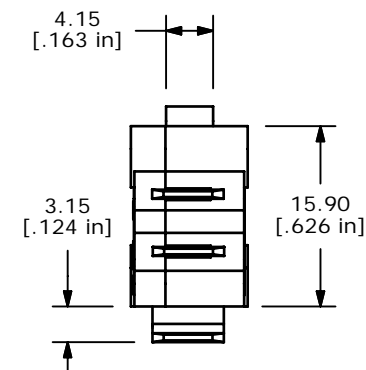
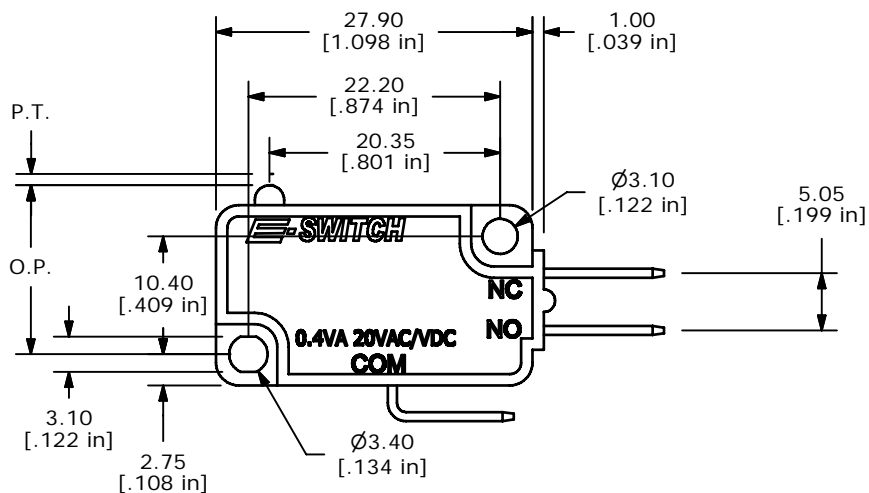
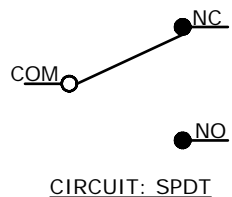


O.P. (MM)	P.T. (MM)
14.75±0.5	.9 NOM

O.P. = OPERATING POINT  
P.T. = PRE-TRAVEL



- NOTES:
- ALL DIMENSIONS IN MM [INCH]
  - GENERAL TOLERANCE: X.X=±0.4  
X.XX=±0.25
  - RATING: 0.4VA @20VAC OR DC
  - ▲** OPERATING FORCE: 100±30 GRAMS
  - OPERATING TEMP: -25°C TO 85°C
  - ELECTRICAL LIFE: 10,000 CYCLES MIN.
  - MECHANICAL LIFE: 1,000,000 CYCLES TYP.
  - INSULATION RESISTANCE: >100 MEGA-OHMS @ 500VDC
  - DIELECTRIC STRENGTH: 1500VAC 1 MINUTE (INITIAL VALUE)
  - CONTACT RESISTANCE: 100 MILLI -OHMS MAX.
  - ▲** DENOTES CRITICAL PARAMETER.
  - ▲** CONTACTS: 10 MICRO INCHES MINIMUM GOLD PLATING (P/N Q990000)
  - 2002/95/EC (ROHS) COMPLIANT



TITLE LS085R100F100C2A

A	20733	RELEASED FOR PRODUCTION	09/05/12	rc
REV	PCR NO	DESCRIPTION	DATE	BY

THE INFORMATION CONTAINED IN THIS DOCUMENT IS PROPRIETARY TO E-SWITCH AND IS NOT TO BE COPIED OR TRANSFERRED

SCALE	DATE	DR	DWG	REV
1.5:1	9/5/2012	rc	Q950106	A

# Mouser Electronics

Authorized Distributor

Click to View Pricing, Inventory, Delivery & Lifecycle Information:

[E-Switch:](#)

[LS085R100F100C2A](#)