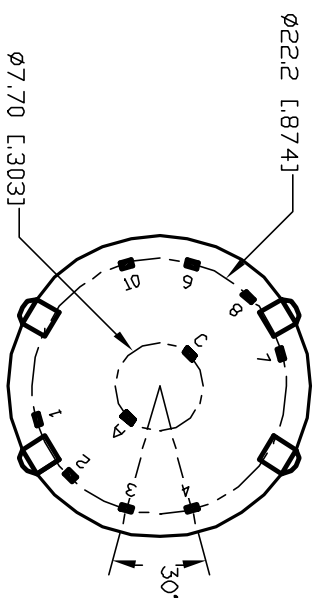
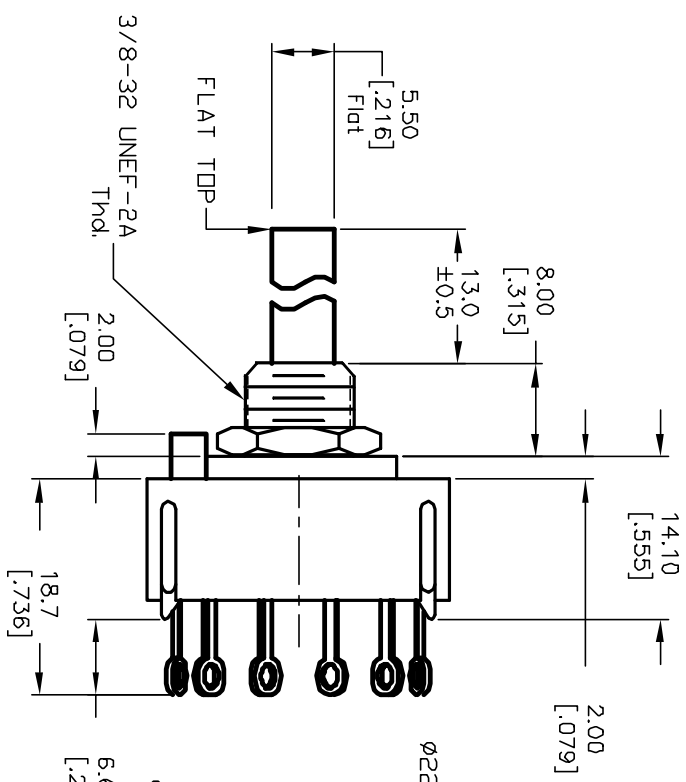
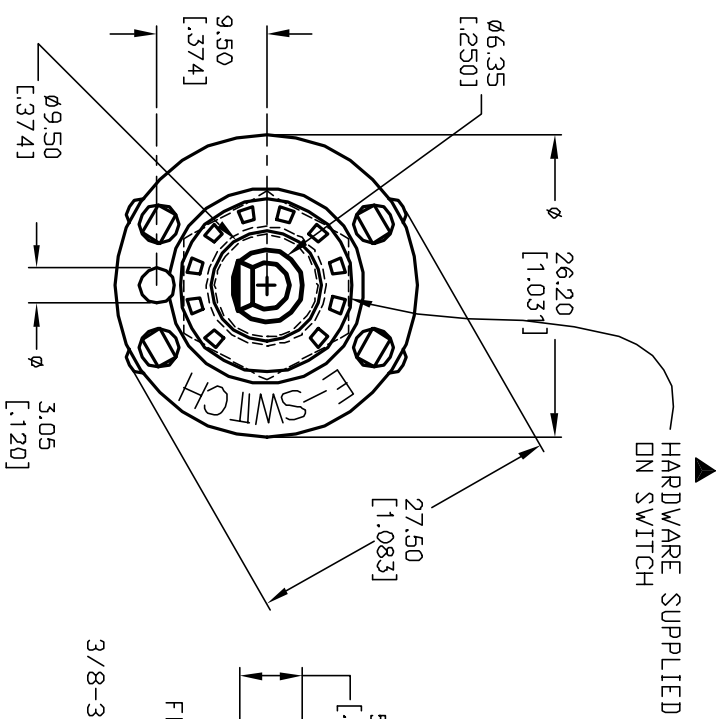
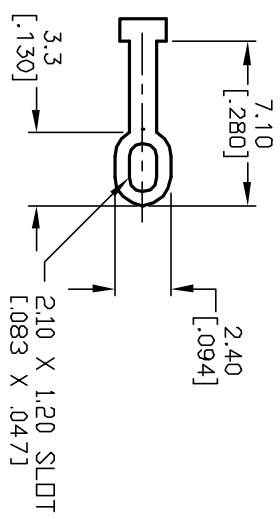
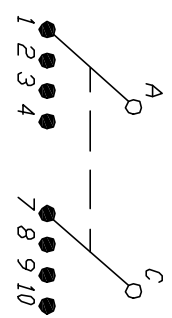


- NOTES:
1. ALL DIMENSION IN MM [INCH]
  2. GENERAL TOLERANCE: X.X=±0.4  
X.XX=±0.25
  3. TERM. NOS. FOR REF. ONLY
  4. CONTACT RATING SWITCHING: 150mA, 250V AC/DC  
350mA, 110V AC/DC
  5. CONTACT RATING (NON-SWITCHING) 5A
  6. CONTACT MATERIAL: SILVER OVER COPPER ALLOY
  7. OPERATING FORCE: 425±100 CM/STANDARD
  8. OPERATING TEMP: -30° to 85°C
  9. CIRCUIT DP: 4 POSITIONS, 30° INDEX.
  10. DIELECTRIC STRENGTH 1000V RMS min. @ SEA LEVEL
  11. DESIGNATE MAJOR DIMENSIONS
  12. HARDWARE SUPPLIED ON SWITCH - SEE BELOW  
STOPRING, LOCKWASHER, & HEXNUT



B	12821	REVISED NOTE 12	3/4/03	CJB
A	12798	RELEASED FOR PRODUCTION	2/6/03	CJB
REV.	ECN No.	DESCRIPTION	DATE	CHKD

SCALE	DATE	DR	DWG	REV
1.5:1	2/6/03	CJB	G510248	B

**E-SWITCH®**

KC-24A (13.0mm) 01-S-L-S

THE INFORMATION CONTAINED IN THIS DOCUMENT IS PROPRIETARY TO E-SWITCH AND IS NOT TO BE COPIED OR TRANSFERRED

# Mouser Electronics

Authorized Distributor

Click to View Pricing, Inventory, Delivery & Lifecycle Information:

[E-Switch:](#)

[KC24A13.001SLS](#)