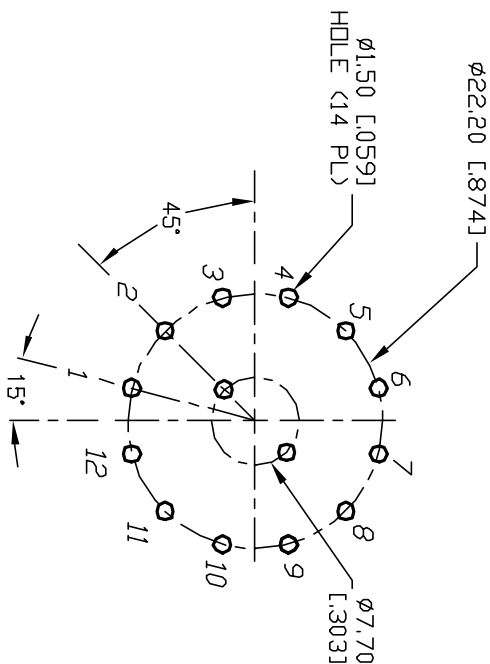
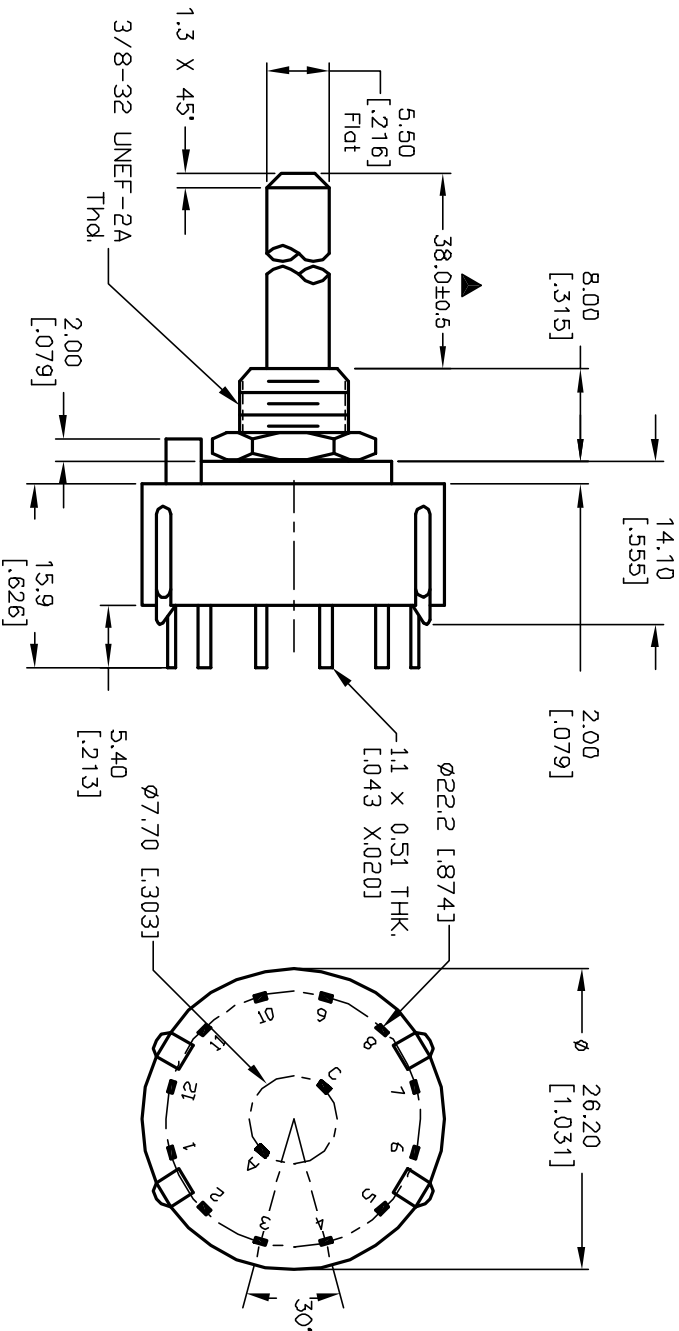
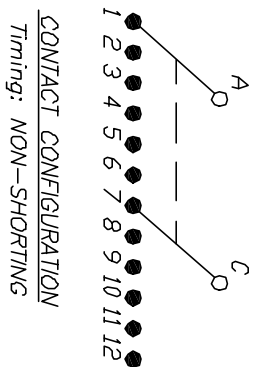
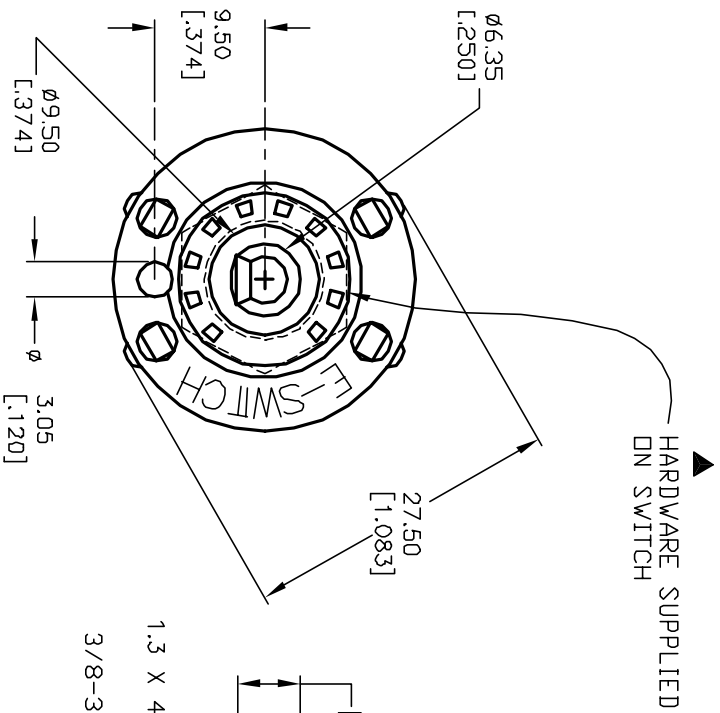


NOTES:

1. ALL DIMENSION IN MM [INCH]
2. GENERAL TOLERANCE: X.X=±0.4
X.XX=±0.25
3. TERM. NOS. FOR REF. ONLY
4. CONTACT RATING SWITCHING: 150mA, 250V AC/DC
350mA, 110V AC/DC
5. CONTACT RATING (NON-SWITCHING) 5A
6. OPERATING FORCE: 425±100 CM/STANDARD
7. OPERATING TEMP: -30° to 85°C
- ▲ 8. CIRCUIT DP: 6 POSITIONS, NON SHORTING, 30° INDEX.
- ▲ 9. DIELECTRIC STRENGTH 1000V RMS min. @ SEA LEVEL
- ▲ 10. DESIGNATE MAJOR DIMENSIONS
- ▲ 11. HARDWARE SUPPLIED ON SWITCH - SEE BELOW STOPPING, LOCKWASHER, & HEXNUT
12. ▲ DENOTES CRITICAL PARAMETER.



E-SWITCH®

KC26A38.001NPS

REV.	ECN No.	DESCRIPTION	DATE	CHKD
A	12970	RELEASED FOR PRODUCTION	3/27/03	AR

TITLE	SCALE	DATE	DR	DWG	REV
KC26A38.001NPS	1.5:1	3/27/03	AR	G523761	A

THE INFORMATION CONTAINED IN THIS DOCUMENT IS PROPRIETARY TO E-SWITCH AND IS NOT TO BE COPIED OR TRANSFERRED

Mouser Electronics

Authorized Distributor

Click to View Pricing, Inventory, Delivery & Lifecycle Information:

[E-Switch:](#)

[KC26A38.001NPS](#)