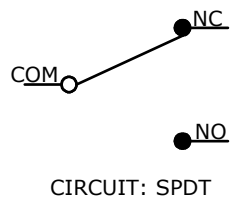


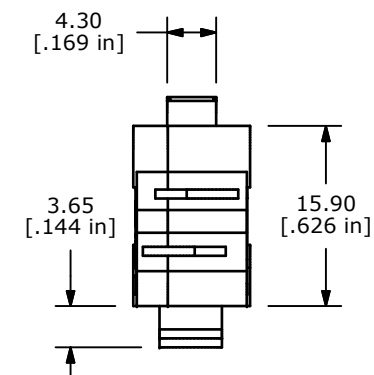
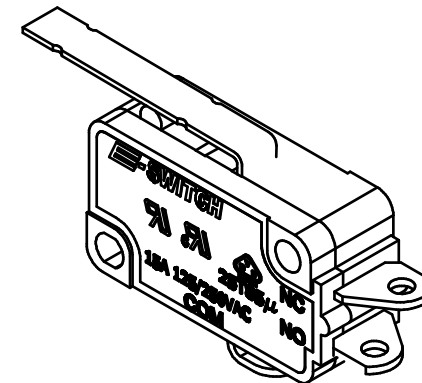
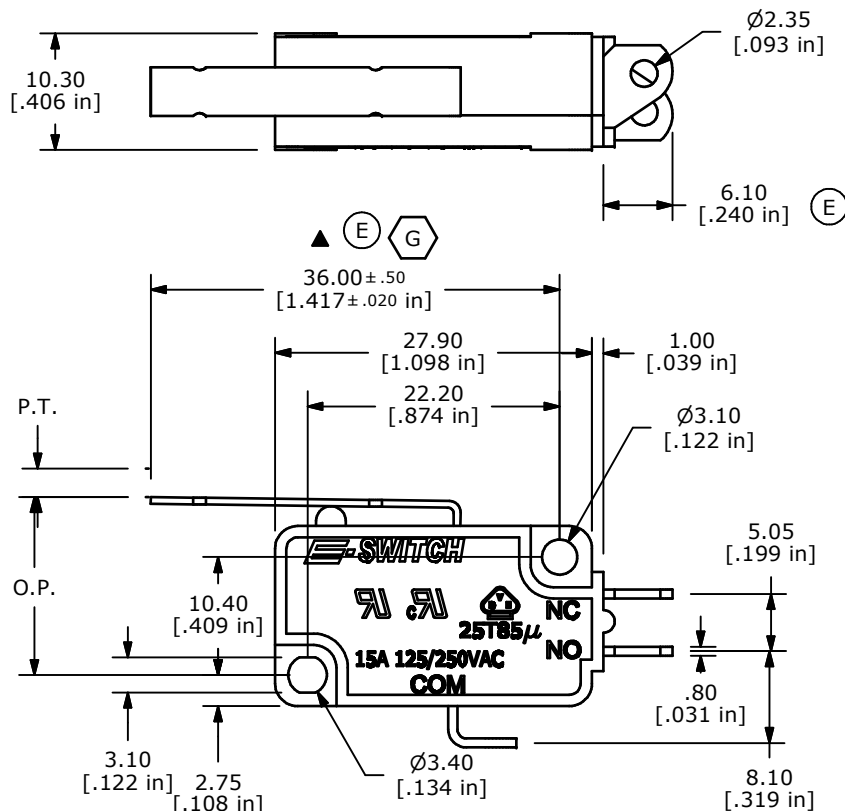
O.P. (MM)	P.T. (MM)
15.5 ± 0.8	4.1 MAX.

O.P. = OPERATING POINT
P.T. = PRE-TRAVEL



NOTES:

- ALL DIMENSIONS IN MM [INCH]
- GENERAL TOLERANCE: X.X=± 0.4
X.XX=± 0.25
- RATING: 15A @125/250VAC UL, CUL, VDE APPROVED
- OPERATING FORCE: 45± 20 GRAMS
- OPERATING TEMP: -25°C TO 85°C
- ELECTRICAL LIFE: 50,000 CYCLES MIN.
- MECHANICAL LIFE: 1,000,000 CYCLES TYP.
- INSULATION RESISTANCE: 100 MEGA-OHMS MIN.
- DIELECTRIC STRENGTH: 1500VAC 1 MINUTE (INITIAL VALUE)
- CONTACT RESISTANCE: 100 MILLI -OHMS MAX.
- ▲ DENOTES CRITICAL PARAMETER
- 2002/95/EC (ROHS) COMPLIANT



G	20754	36.00 WAS 36.60	9/14/12	EBP
F	15694	EDIT LEVER DIMENSION	1/19/06	PH
E	15603	CHANGES NOTED	12/13/05	PH
D	15058	CORRECTED DIMENSION AND NOTE 4	6/1/05	JB
C	14969	CHANGED NOTE #4	6/1/05	JB
REV	PCR NO	DESCRIPTION	DATE	BY

E-SWITCH®

TITLE LS0851502F045S1A

SCALE	DATE	DR	DWG	REV
1.5:1	2/25/2005	AR	Q950005	G

THE INFORMATION CONTAINED IN THIS DOCUMENT IS PROPRIETARY TO E-SWITCH AND IS NOT TO BE COPIED OR TRANSFERRED

Mouser Electronics

Authorized Distributor

Click to View Pricing, Inventory, Delivery & Lifecycle Information:

[E-Switch:](#)

[LS0851502F045S1A](#)