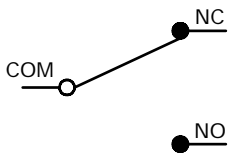
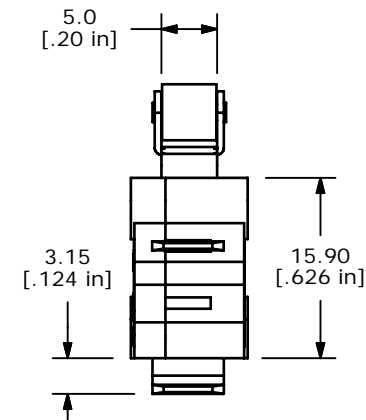
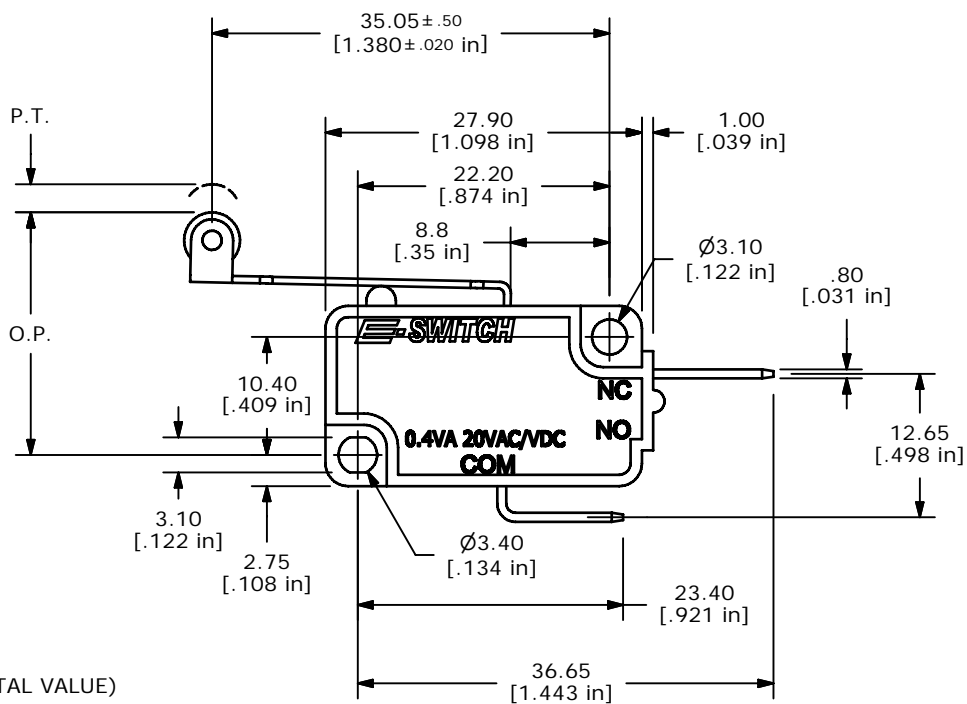
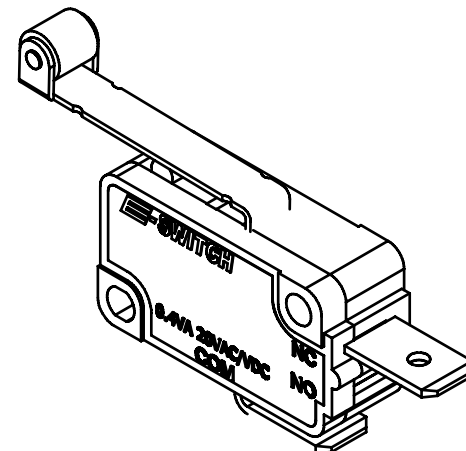
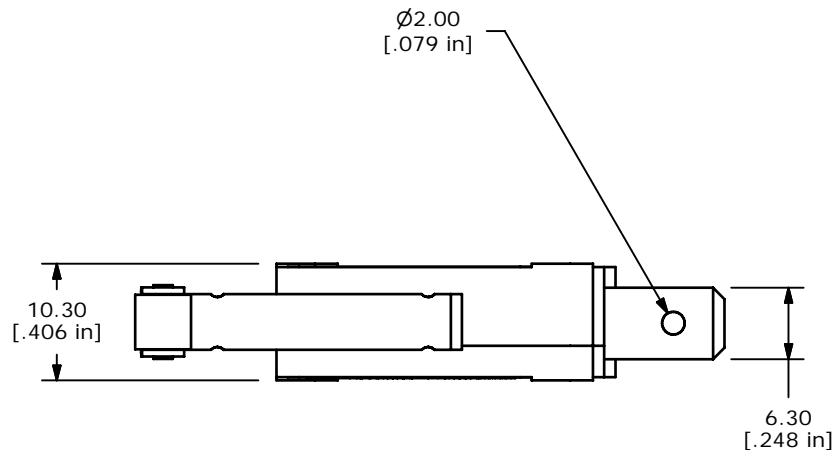


|            |           |
|------------|-----------|
| O.P. (MM)  | P.T. (MM) |
| 20.7 ± 1.5 | 4.0 MAX.  |

O.P. = OPERATING POINT  
P.T. = PRE-TRAVEL



CIRCUIT: SPDT



NOTES:

1. ALL DIMENSIONS IN MM [INCH]
2. GENERAL TOLERANCE: X.X=±0.4  
X.XX=±0.25
- ▲ 3. RATING: GOLD CONTACTS, .4VA 20VAC/VDC
- ▲ 4. OPERATING FORCE: 120±40 GRAMS
5. OPERATING TEMP: -25°C TO 85°C
6. ELECTRICAL LIFE: 50,000 CYCLES MIN.
7. MECHANICAL LIFE: 1,000,000 CYCLES TYP.
8. INSULATION RESISTANCE: 100 MEGA-OHMS MIN.
9. DIELECTRIC STRENGTH: 1500VAC 1 MINUTE (INITIAL VALUE)
10. CONTACT RESISTANCE: 100 MILLI -OHMS MAX.
11. ▲ DENOTES CRITICAL PARAMETER.
12. 2002/95/EC (ROHS) COMPLIANT



TITLE LS085R106F120C2B

|     |        |                         |         |    |
|-----|--------|-------------------------|---------|----|
| A   | 18930  | RELEASED FOR PRODUCTION | 3/15/10 | rc |
| REV | PCR NO | DESCRIPTION             | DATE    | BY |

THE INFORMATION CONTAINED IN THIS DOCUMENT IS PROPRIETARY TO E-SWITCH AND IS NOT TO BE COPIED OR TRANSFERRED

|       |           |    |         |     |
|-------|-----------|----|---------|-----|
| SCALE | DATE      | DR | DWG     | REV |
| 1.5:1 | 3/15/2010 | RC | Q950086 | A   |

# Mouser Electronics

Authorized Distributor

Click to View Pricing, Inventory, Delivery & Lifecycle Information:

[E-Switch:](#)

[LS085R106F120C2B](#)