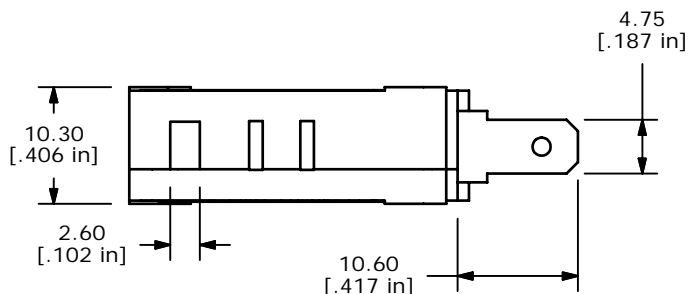
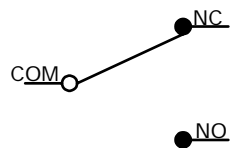


ISOMETRIC



| O.P. (MM)  | P.T. (MM) |
|------------|-----------|
| 14.7 ± 0.5 | 2.0 MAX.  |

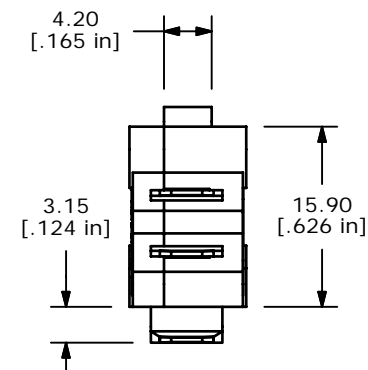
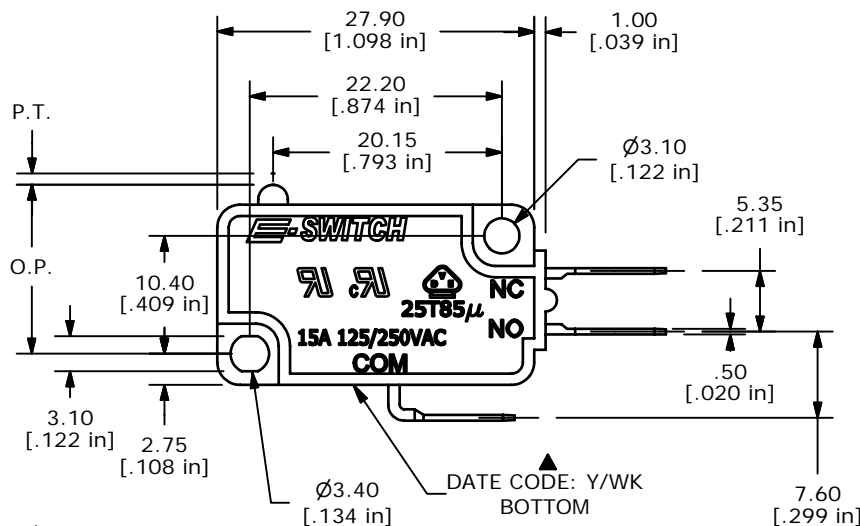
O.P. = OPERATING POINT  
P.T. = PRE-TRAVEL



CIRCUIT: SPDT

NOTES:

1. ALL DIMENSIONS IN MM [INCH]
2. GENERAL TOLERANCE: X.X=± 0.4  
X.XX=± 0.25
3. RATING: 15A @125/250VAC UL, CUL, VDE APPROVED
- ▲4. OPERATING FORCE: 160± 40 GRAMS
5. OPERATING TEMP: -25°C TO 85°C
6. ELECTRICAL LIFE: 50,000 CYCLES MIN.
7. MECHANICAL LIFE: 1,000,000 CYCLES TYP.
8. INSULATION RESISTANCE: 100 MEGA-OHMS MIN.
9. DIELECTRIC STRENGTH: 1500VAC 1 MINUTE (INITIAL VALUE)
10. CONTACT RESISTANCE: 100 MILLI -OHMS MAX.
- ▲11. DATE CODE TO BE STAMPED: Y=YEAR/WK=WEEK
12. ▲DENOTES CRITICAL PARAMETER.
13. 2002/95/EC (ROHS) COMPLIANT



| REV | PCR NO | DESCRIPTION                   | DATE     | BY |
|-----|--------|-------------------------------|----------|----|
| F   | 16967  | FIXED DATE CODE               | 2/6/07   | TN |
| E   | 15603  | CHANGES NOTED                 | 12/13/05 | PH |
| D   | 15058  | FIXED DIMMENSION              | 7/1/05   | JB |
| C   | 14969  | CHANGED DIMMENSIONS AND NOTES | 6/1/05   | JB |



TITLE LS0851500F160C1A

THE INFORMATION CONTAINED IN THIS DOCUMENT IS PROPRIETARY TO E-SWITCH AND IS NOT TO BE COPIED OR TRANSFERRED

| SCALE | DATE     | DR | DWG     | REV |
|-------|----------|----|---------|-----|
| 1.5:1 | 2/6/2007 | TN | Q950000 | F   |

# Mouser Electronics

Authorized Distributor

Click to View Pricing, Inventory, Delivery & Lifecycle Information:

[E-Switch:](#)

[LS0851500F160C1A](#)