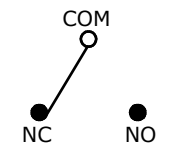
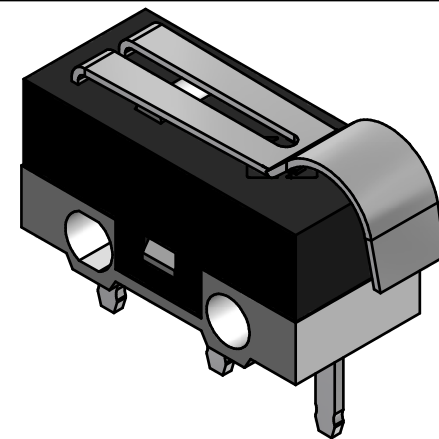
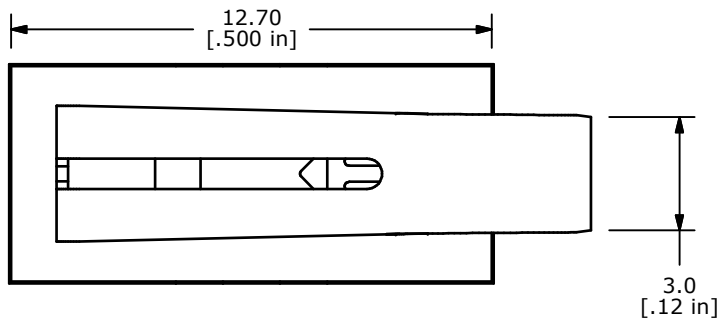


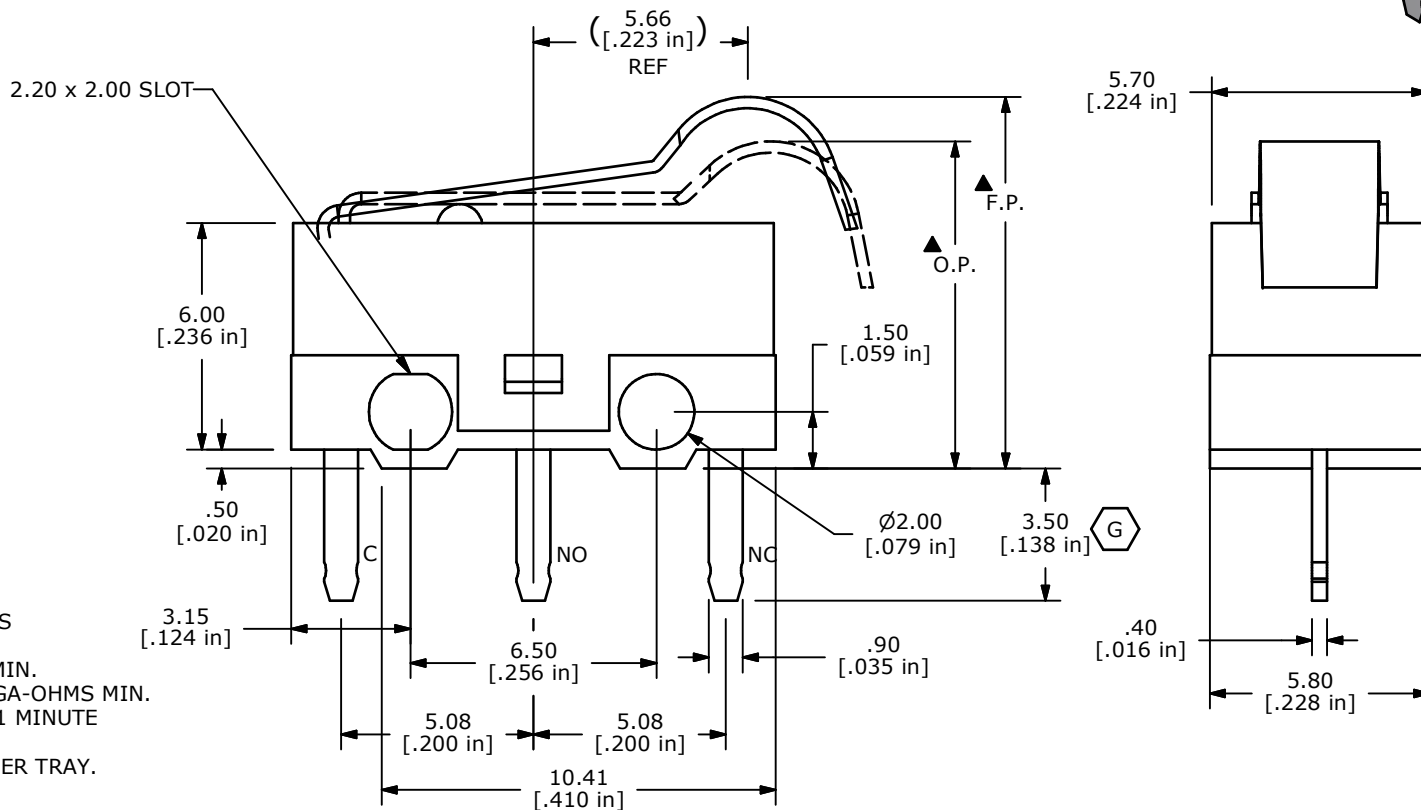
P.C. MOUNTING



CIRCUIT: SPDT

O.P. (MM)	F.P. (MM)
9.65±0.8	11.0 ± 0.8

O.P. = OPERATING POINT
F.P. = FREE POINT



- NOTES:
- ALL DIMENSIONS IN MM [INCH]
 - GENERAL TOLERANCE: X.X±0.4
X.XX±0.25

- RATING: 3A @125VAC
1.5A @250VAC UL
- OPERATING FORCE: 30 to 55 GRAMS
- OPERATING TEMP: -25°C TO 75°C
- ELECTRICAL LIFE: 10,000 CYCLES MIN.
- INSULATION RESISTANCE: 100 MEGA-OHMS MIN.
- DIELECTRIC STRENGTH: 500VAC - 1 MINUTE
- ▲ DENOTES CRITICAL PARAMETER.
- PACKAGED IN TRAYS, 120 PIECES PER TRAY.
- 2002/95/EC (ROHS) COMPLIANT

REV	PCR NO	DESCRIPTION	DATE	BY
G	21074	MOVE NOTED DIMENSION	3/19/13	EBP
F	20740	F.P. 11.0±0.8 WAS P.T. 1.35 MAX	9/7/12	EBP
E	20588	FORCE WAS 50+/- GRAMS	5/3/12	DRG
D	18157	REMOVE CE APPROVED FROM NOTES	6/24/08	BLR
C	18089	NOTE 10 WAS 1000 PIECES PER BAG	5/9/08	RC



TITLE SS0750303F050P1A

THE INFORMATION CONTAINED IN THIS DOCUMENT IS PROPRIETARY TO E-SWITCH AND IS NOT TO BE COPIED OR TRANSFERRED

SCALE	DATE	DR	DWG	REV
	6/24/2008		Q971004	G

Mouser Electronics

Authorized Distributor

Click to View Pricing, Inventory, Delivery & Lifecycle Information:

[E-Switch:](#)

[SS0750303F050P1A](#)