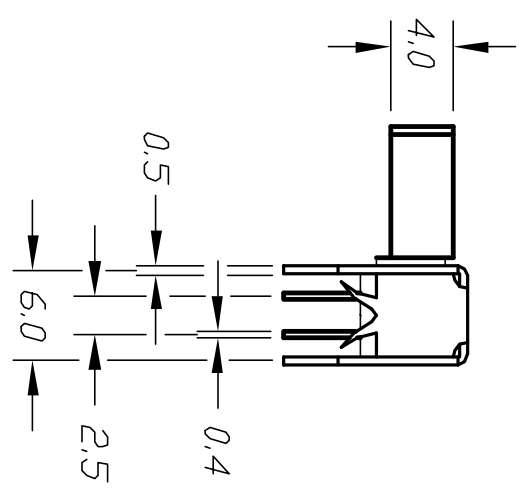
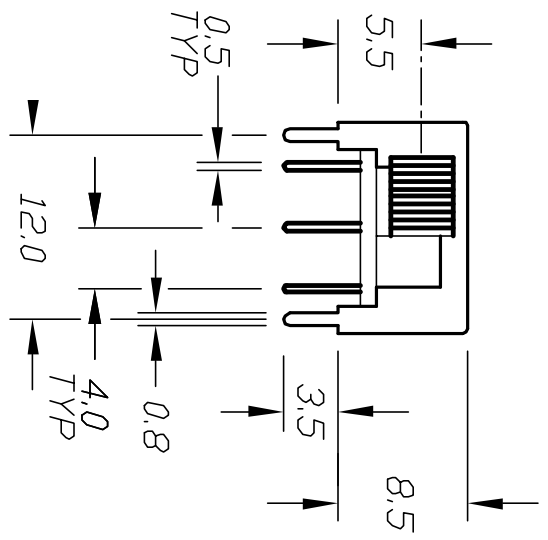


- NOTES:
1. ALL DIMENSIONS IN MM
 2. GENERAL TOLERANCE: X.X=±0.4
X.XX=±0.25
 3. RATINGS: 15V DC, 0.5A
 4. TIMING: NON-SHORTING
 5. TRAVEL: 4.00mm
 6. OPERATING FORCE: 250±100gf
 7. TERMINAL PC BOARD



E-SWITCH®

B	12648	REVISED AND REDRAWN	12/20/02	CJB	TITLE	EG 2219	DR	JL	DWG	P040170	REV	B
--	12648	ADD NOTES	12/20/02	CJB	SCALE	2:1	DATE	8/9/95				
REV.	ECN No.	DESCRIPTION	DATE	CHKD								
THE INFORMATION CONTAINED IN THIS DOCUMENT IS PROPRIETARY TO E-SWITCH AND IS NOT TO BE COPIED OR TRANSFERRED												

Mouser Electronics

Authorized Distributor

Click to View Pricing, Inventory, Delivery & Lifecycle Information:

[E-Switch:](#)

[EG2219](#)