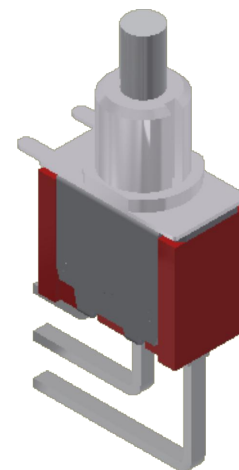
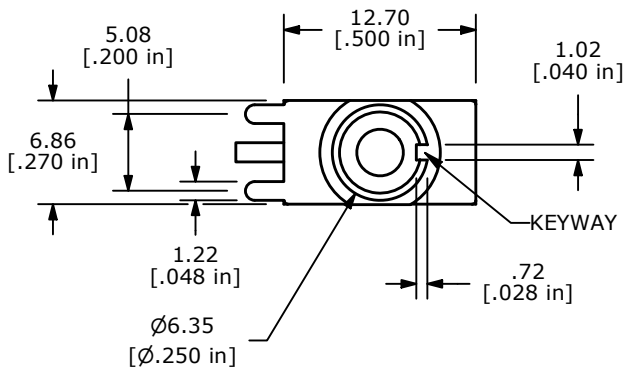
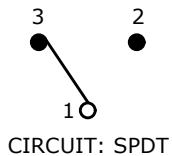


P.C. MOUNTING



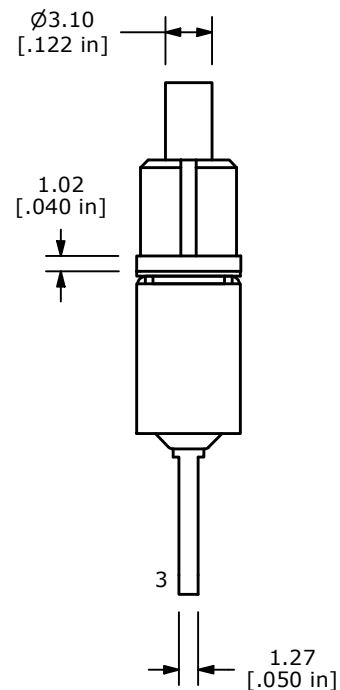
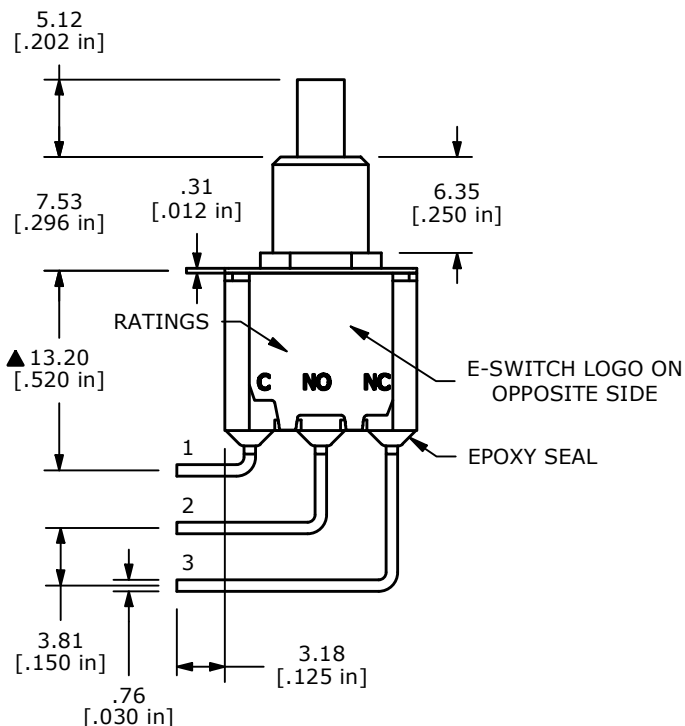
SWITCH FUNCTION	
POS. 1	POS. 2
ON	(ON)
1-3	1-2

(ON)=MOMENTARY



NOTE:

1. ALL DIMENSIONS IN MM [INCH]
2. GENERAL TOLERANCE: X.X=±0.4
X.XX=±0.25
3. TERMINAL NUMBERS FOR REF ONLY
4. CONTACT MATERIAL: GOLD
5. RATING: 0.4VA MAX. @ 20 VAC OR VDC MAX.
6. ELECTRICAL LIFE: 6,000 MAKE-AND-BREAK CYCLES AT FULL LOAD
7. MECHANICAL LIFE: 50,000 CYCLES
8. INSULATION RESISTANCE: 1,000 MΩ MIN.
9. ACTUATION FORCE: 350 ± 150gf
10. TRAVEL: 1.0 ± 0.2mm
11. CONTACT RESISTANCE: 20 mΩ MAX.
TYPICAL @ 2-4 VDC
12. DIELECTRIC STRENGTH: 1,000 V RMS @ SEA LEVEL.
13. OPERATING TEMP.: -30°C to 85°C
14. ▲ DENOTES CRITICAL PARAMETER.



REV	ECO NO	DESCRIPTION	DATE	BY
E	ECO-102819	700 SERIES UPDATE	08/05/24	JS



OBJECT ID
000025698

TITLE 700SP7B20M7RE		SCALE 2:1	DATE 9/11/2006	DR BO	DWG T711007	REV E
------------------------	--	--------------	-------------------	----------	----------------	----------

Mouser Electronics

Authorized Distributor

Click to View Pricing, Inventory, Delivery & Lifecycle Information:

[E-Switch:](#)

[700SP7B20M7RE](#)