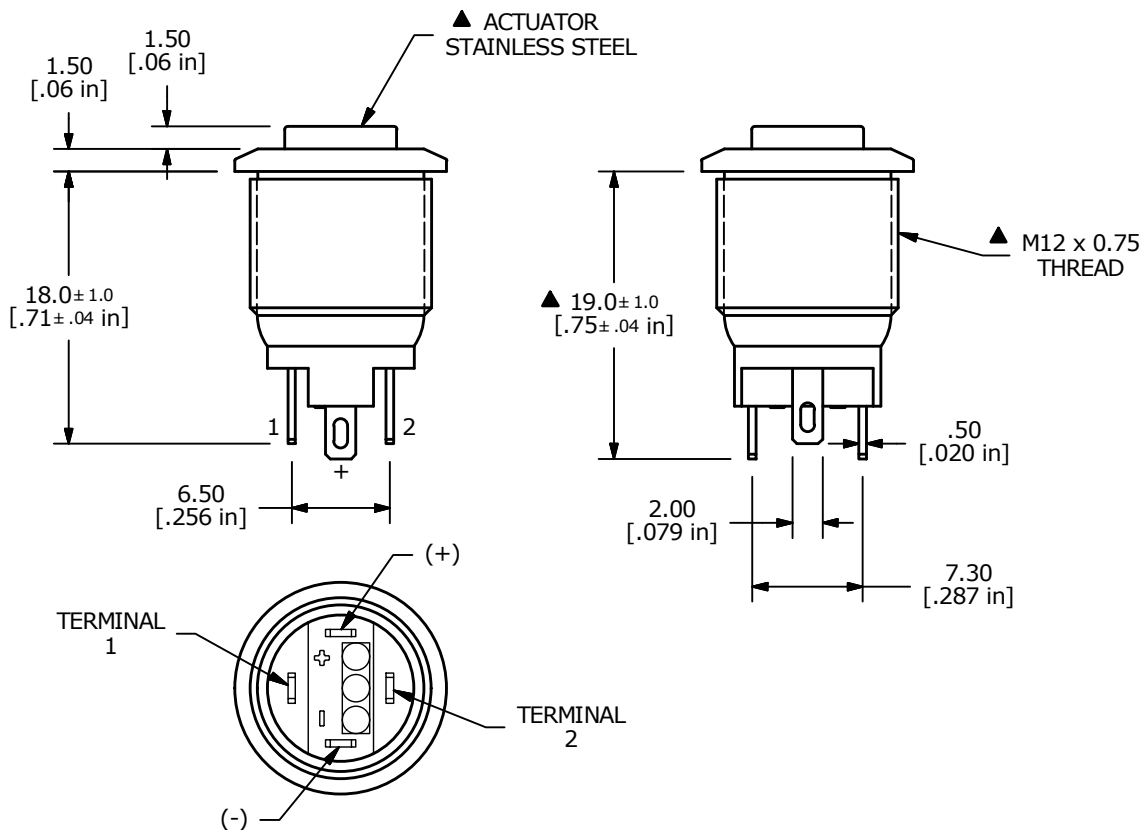
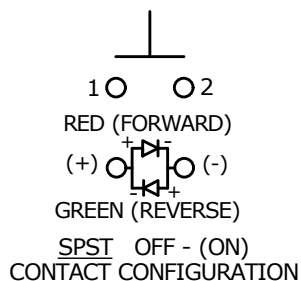


SWITCH FUNCTION	
POS. 1	POS. 2
OFF	(ON)
OPEN	1-2

(ON) = MOMENTARY



- NOTE:
- ALL DIMENSIONS IN MM [INCH]
 - GENERAL TOLERANCE: X.X = ± 0.4
X.XX = ± 0.25
 - TERMINAL NOS. FOR REF. ONLY
 - RATING: 2A @ 36VDC
 - CONTACT RESISTANCE: 50mΩ MAX. @ 1A 12VDC
 - INSULATION RESISTANCE: 1,000MΩ @ 500VDC
 - DIELECTRIC STRENGTH: 2,000VAC MIN. FOR 1 MINUTE
 - ELECTRICAL LIFE: 200,000 CYCLES
 - CONTACT MATERIAL: SILVER
 - OPERATING TEMPERATURE: -20°C to 55°C
 - INGRESS PROTECTION: IP65
 - ▲ 12. LED VOLTAGE: 1.8V 20mA (Forward), 2.8V 20mA (Reverse)
 - ▲ 13. ▲ DENOTES CRITICAL PARAMETER
 14. 2011/65/EU (ROHS) COMPLIANT
 15. HARDWARE INCLUDED: HEX NUT AND O-RING (NOT SHOWN)



B	23192	UPDATED THREAD FROM ..0.5 TO ..0.75	1/29/18	MJR
A	23034	Release For Production	10/6/17	MW
REV	PCR NO	DESCRIPTION	DATE	BY

TITLE PV0H240SS-3G1				
SCALE 2:1	DATE 10/6/2017	DR MW	DWG 52-PV0H240SS3G1	REV B

THE INFORMATION CONTAINED IN THIS DOCUMENT IS PROPRIETARY TO E-SWITCH AND IS NOT TO BE COPIED OR TRANSFERRED

Mouser Electronics

Authorized Distributor

Click to View Pricing, Inventory, Delivery & Lifecycle Information:

[E-Switch:](#)

[PV0H240SS](#) [PV0H240SS-3G1](#)