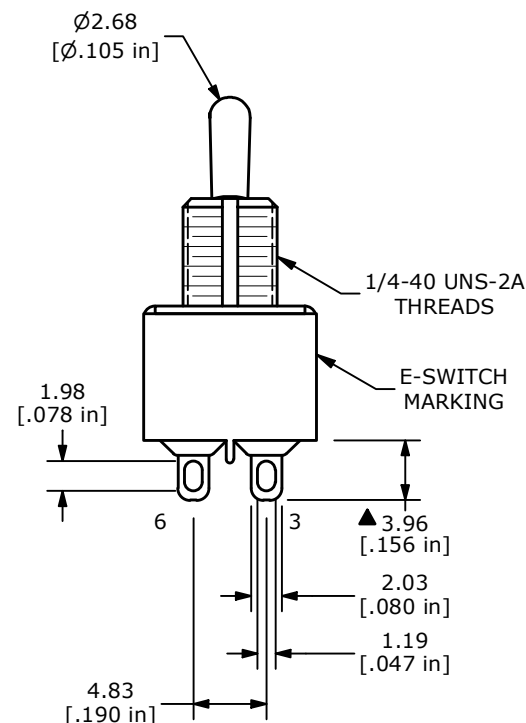
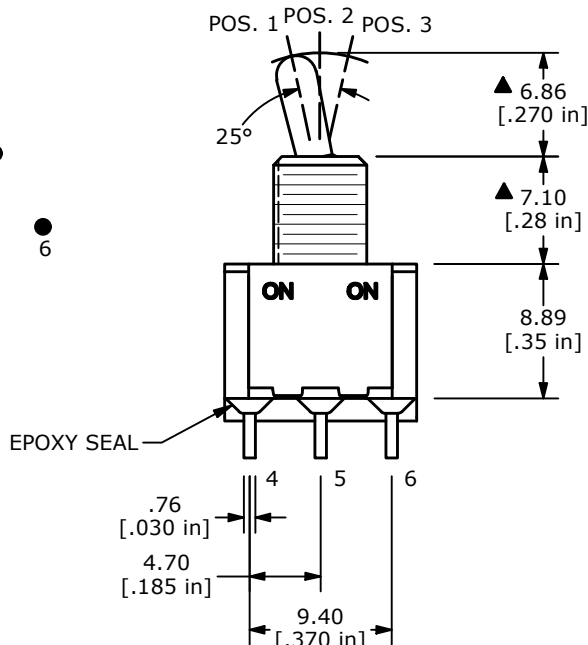
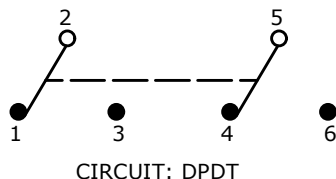


▲ SWITCH FUNCTION		
POS. 1	POS. 2	POS. 3
ON	NONE	ON
2-3	N/A	2-1



NOTE:

- ALL DIMENSIONS IN MM [INCH]
- GENERAL TOLERANCE: X.X=±0.4
X.XX=±0.25
- TERMINAL NUMBERS FOR REF ONLY
- CONTACT MATERIAL: SILVER
- RATING: 2A @ 250 VAC
5A @ 120 VAC OR 28 VDC
- ELECTRIC LIFE: 6,000 MAKE-AND-BREAK CYCLES AT FULL LOAD.
- INSULATION RESISTANCE: 1,000 MEGA-OHM MIN.
- DIELECTRIC STRENGTH: 1,000 V RMS @SEA LEVEL.
- OPERATING TEMP.: -40°C TO 85°C
- ▲ DENOTES CRITICAL PARAMETER.
- HARDWARE INCLUDED
T100011 - LOCK WASHER - QTY 1
T100015 - LOCK RING - QTY 1
T100000 - HEX NUT - QTY 2

REV	ECO NO	DESCRIPTION	DATE	BY	E-SWITCH®			OBJECT ID	
B	ECO-102451	100 SERIES UPDATE	04/12/24	MR	TITLE 100DP1T2B3M1QE			000023116	
THE INFORMATION CONTAINED IN THIS DOCUMENT IS PROPRIETARY TO E-SWITCH AND IS NOT TO BE COPIED OR TRANSFERRED					SCALE	DATE	DR	DWG	REV
					2:1	12/27/2006	TN	ST121042	B

Mouser Electronics

Authorized Distributor

Click to View Pricing, Inventory, Delivery & Lifecycle Information:

[E-Switch:](#)

[100DP1T2B3M1QEH](#)