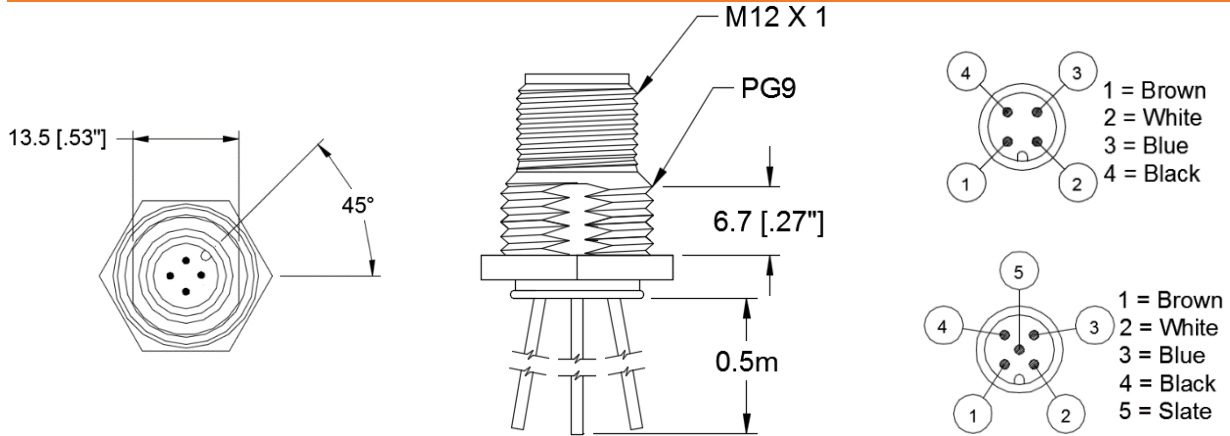


Drawing



Technical Data

Mechanical

Receptacle Style	M12, Male
Applicable Specification	IEC 61076-2-101
Receptacle Threads	External
Housing	Nickel Plated Brass, Leads Epoxy Potted
Insert	Nylon
Contact	Copper Alloy, Gold Plated
Mounting Orientation	Rear
Panel Nut	Nickel Plated Brass
O-Ring	FKM
Electrical	
Contact Resistance	≤ 5 mΩ
Nom. Current @ 40°C	4 A
Rated Voltage	4 Pole 250 V (IEC) 300V (UL) 5 Pole 60 V (IEC) 30V (UL)
UL File	E485156
Lead Wires	
AWG	22 AWG (7/30) Tinned Copper
Insulation	PVC
Outside Diameter	0.062" Nominal
Lead Length	0.5 Meters (19.7")
UL Style	AWM 1007 & 1569
CSA Style	TR64
Environmental	
Degree of Protection	IP 67/ NEMA 6P
Operating Temperature Range	-25C (-13F)/ +90C (+194F)

Issue: 1 Issue Date: 8/8/2016 Effective Date: 8/8/2016

CE	All materials used in the manufacture of this part meet the requirements of European Directive 2011/65/EU regarding the restriction of use of certain hazardous substances in electrical and electronic equipment. Exemption used; 6a.
REACH Regulation (EC 1907/2006)	This product does not contain Substances of Very High Concern (SVHC) listed on the European Union’s REACH candidate list in excess of 0.1% mass of the item.

Ordering Information	Description	Quantity
300DCR NC404	4 Pin	Each
302DCR NC404	5 Pin	Each

Although Alpha Wire (“Alpha”) makes every reasonable effort to ensure their accuracy at the time of this publication, information and specifications described herein are subject to error or omission and to change without notice, and the listing of such information and specifications does not ensure product availability. Alpha provides the information and specification herein on an “AS IS” basis, with no representations or warranties, whether express, statutory or implied. In no event will Alpha be liable any damages (including consequential, indirect, incidental, special, punitive, or exemplary damages) whatsoever, even if Alpha has been advised of the possibility of such damages, whether in an action under contract, negligence or any other theory, arising out of or in connection with the use, or inability to use, the information or specification described herein.

Issue: 1 Issue Date: 8/4/2016 Effective Date: 8/4/2016

Mouser Electronics

Authorized Distributor

Click to View Pricing, Inventory, Delivery & Lifecycle Information:

[Alpha Wire:](#)

[302DCR NC404](#)