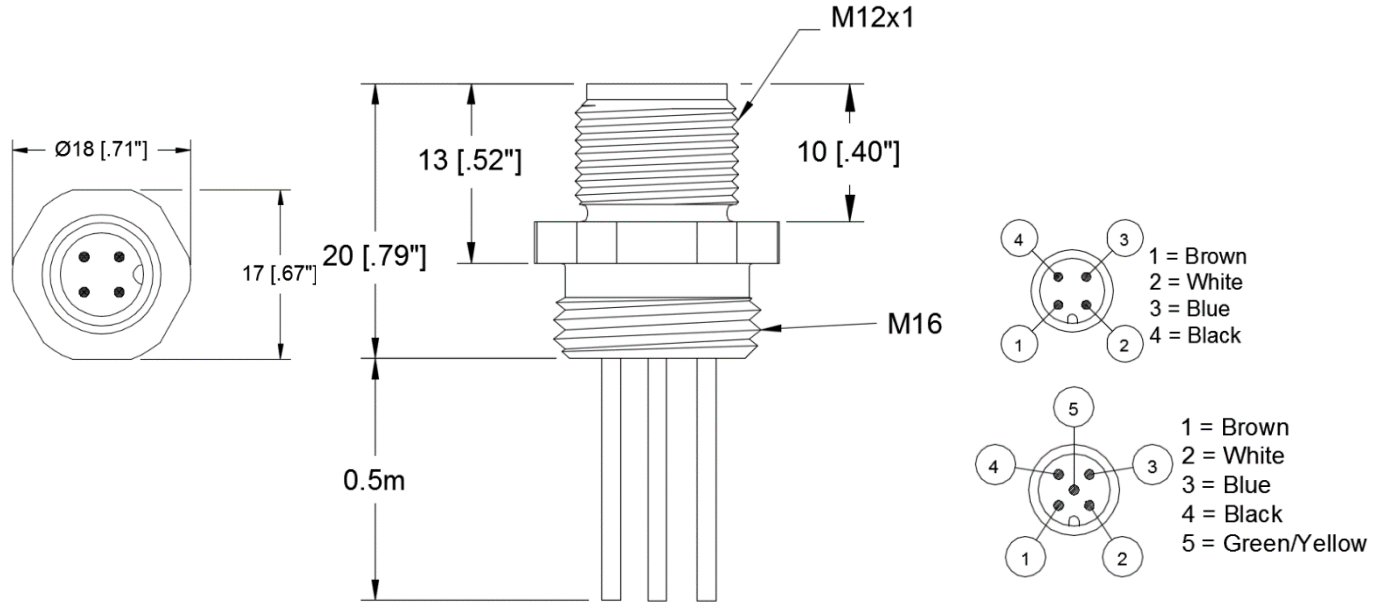


**Drawing**



**Technical Data**

**Mechanical**

Receptacle Style	M12, Male
Applicable Specification	IEC 61076-2-101
Receptacle Threads	External
Housing	Stainless Steel
Insert	BPT
Contact	Copper Alloy, Gold Plated
Mounting Orientation	Front
Panel Nut	Stainless Steel
O-Ring	EPDM
<b>Electrical</b>	
Contact Resistance	≤ 5 mΩ
Nom. Current @ 40°C	4 A
Rated Voltage	4 Pole 250 V (IEC) 300V (UL) 5 Pole 60 V (IEC) 30V (UL)
UL File	E485156
<b>Lead Wires</b>	
AWG	22 AWG (7/30) Tinned Copper (20 AWG for Green/Yellow)
Insulation	PVC
Outside Diameter	0.062" Nominal

Issue: 1 Issue Date: 8/8/2016 Effective Date: 8/8/2016

<b>Lead Length</b>	0.5 Meters (19.7")
UL Style	AWM 1007 & 1569
CSA Style	TR64
<b>Environmental</b>	
Degree of Protection	IP 67 / NEMA 6P (IP67 / IP69K for 308DCFS)
Operating Temperature Range	-25C (-13F)/ +70C (+158F)
CE	All materials used in the manufacture of this part meet the requirements of European Directive 2011/65/EU regarding the restriction of use of certain hazardous substances in electrical and electronic equipment. Exemption used; 6a.
REACH Regulation (EC 1907/2006)	This product does not contain Substances of Very High Concern (SVHC) listed on the European Union's REACH candidate list in excess of 0.1% mass of the item.

Ordering Information	Description	Quantity
305DCFS NC404	4 Pin	Each
307DCFS NC404	5 Pin	Each
308DCFS NC404	5 Pin – Circuit Board Mount	Each

Although Alpha Wire ("Alpha") makes every reasonable effort to ensure their accuracy at the time of this publication, information and specifications described herein are subject to error or omission and to change without notice, and the listing of such information and specifications does not ensure product availability. Alpha provides the information and specification herein on an "AS IS" basis, with no representations or warranties, whether express, statutory or implied. In no event will Alpha be liable any damages (including consequential, indirect, incidental, special, punitive, or exemplary damages) whatsoever, even if Alpha has been advised of the possibility of such damages, whether in an action under contract, negligence or any other theory, arising out of or in connection with the use, or inability to use, the information or specification described herein.

# Mouser Electronics

Authorized Distributor

Click to View Pricing, Inventory, Delivery & Lifecycle Information:

[Alpha Wire:](#)

[308DCFS NC032](#)